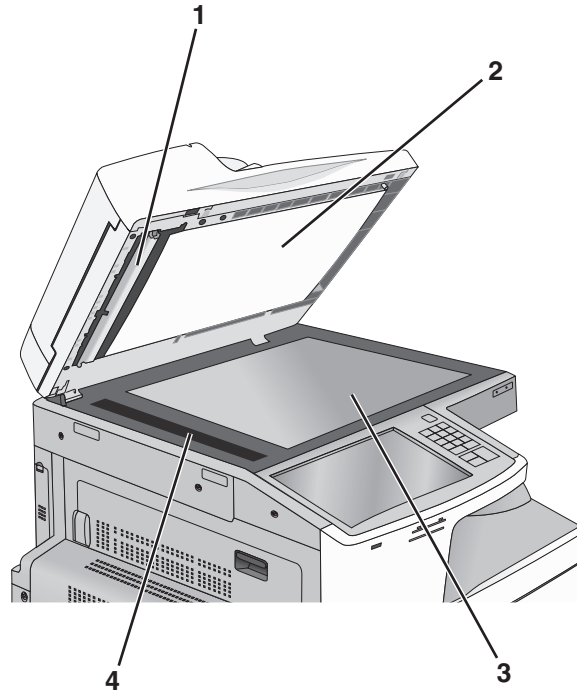


3 Wipe the areas shown below, and let them dry.



Callout	Description
1	White underside of the ADF cover
2	White underside of the scanner cover
3	Scanner glass
4	ADF glass

4 Close the scanner cover.

Cleaning the printhead lenses

- 1** Open the front door.
- 2** Slide the release lever to the left to unlock the cover.
- 3** Open the cover.
- 4** Locate the printhead wipers.
- 5** Gently pull the printhead wiper out until it stops, and then slowly slide it back into place.
- 6** Close the cover.
- 7** Slide the release lever to the right to lock the cover.
- 8** Close the front door.

Parts catalog

- **“Legend” on page 673**
- **“Assembly 1: Covers (MX71x)” on page 675**
- **“Assembly 2: Covers (MX81x)” on page 677**
- **“Assembly 3: Paper path” on page 681**
- **“Assembly 4: Fusers” on page 683**
- **“Assembly 5: Electronics” on page 685**
- **“Assembly 6: Drive motors” on page 689**
- **“Assembly 7: Duplex” on page 691**
- **“Assembly 8: Frame” on page 693**
- **“Assembly 9: Control panel (MX71x)” on page 695**
- **“Assembly 10: Control panel 10-inch display (MX81x)” on page 699**
- **“Assembly 11: Paper tray” on page 701**
- **“Assembly 12: ADF assembly” on page 703**
- **“Assembly 13: ADF covers” on page 705**
- **“Assembly 14: ADF mechanical” on page 709**
- **“Assembly 15: ADF electronics” on page 711**
- **“Assembly 16: Flatbed scanner (MX710 and MX711)” on page 715**
- **“Assembly 17: Flatbed scanner (MX810, MX811 and MX812)” on page 719**
- **“Assembly 18: Input options (MX710 and MX711)” on page 723**
- **“Assembly 19: Input options (MX810, MX811 and MX812)” on page 725**
- **“Assembly 20: 250-sheet tray option (MX710 and MX711)” on page 727**
- **“Assembly 21: 550-sheet tray option (MX710 and MX711)” on page 729**
- **“Assembly 22: 550-sheet tray option (MX810, MX811, MX812)” on page 731**
- **“Assembly 23: High capacity input tray option 1 (MX710 and MX711)” on page 733**
- **“Assembly 24: High capacity input tray option 2 (MX710 and MX711)” on page 735**
- **“Assembly 25: High capacity input tray option 3 (MX810, MX811, MX812)” on page 737**
- **“Assembly 26: High capacity input tray option 4 (MX810, MX811, MX812)” on page 739**
- **“Assembly 27: Output options (MX810, MX811, and MX812)” on page 741**
- **“Assembly 28: Staple finisher option 1” on page 743**
- **“Assembly 29: Staple finisher option 2” on page 745**
- **“Assembly 30: Mailbox option 1” on page 747**
- **“Assembly 31: Mailbox option 2” on page 749**
- **“Assembly 32: Offset stacker option 1” on page 751**
- **“Assembly 33: Offset stacker option 2” on page 753**
- **“Assembly 34: Miscellaneous” on page 755**
- **“Assembly 35: Power cords” on page 757**

Legend

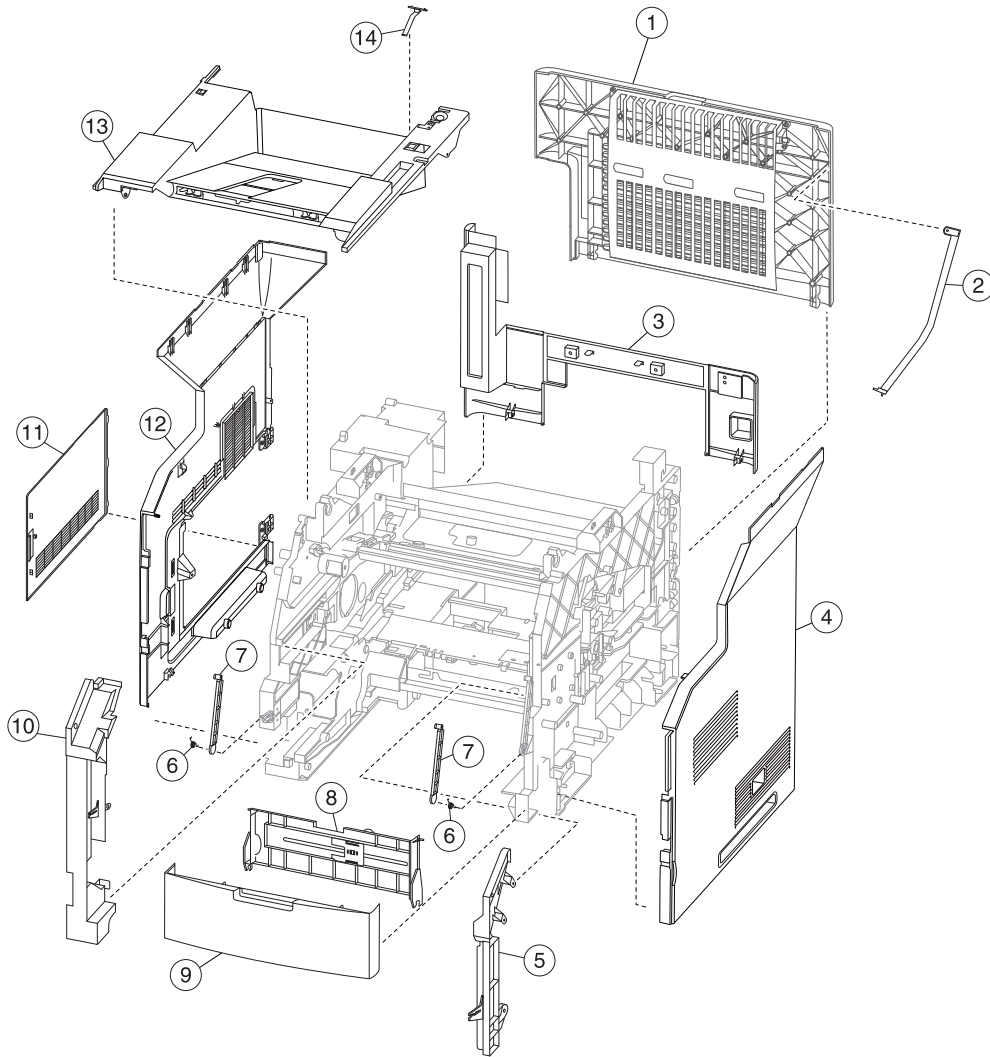
The following column headings are used in the parts catalog:

- **Asm-index**—Identifies the assembly and the item in the diagram. For example, 3-1 indicates Assembly 3 and item 1 in the table.
- **Part number**—Identifies the unique number that correlates with the part.
- **Units/mach**—Refers to the number of units actually used in the base machine or product.
- **Units/option**—Refers to the number of units in a particular option.
- **Units/FRU**—Refers to the number of units in a particular FRU.
- **Description**—A brief description of the part.

The following abbreviations are used in the parts catalog:

- **NS** (not shown) in the Asm-index column indicates that the part is procurable but is not pictured in the illustration.
- **PP** (parts packet) in the Description column indicates that the part is contained in a parts packet.

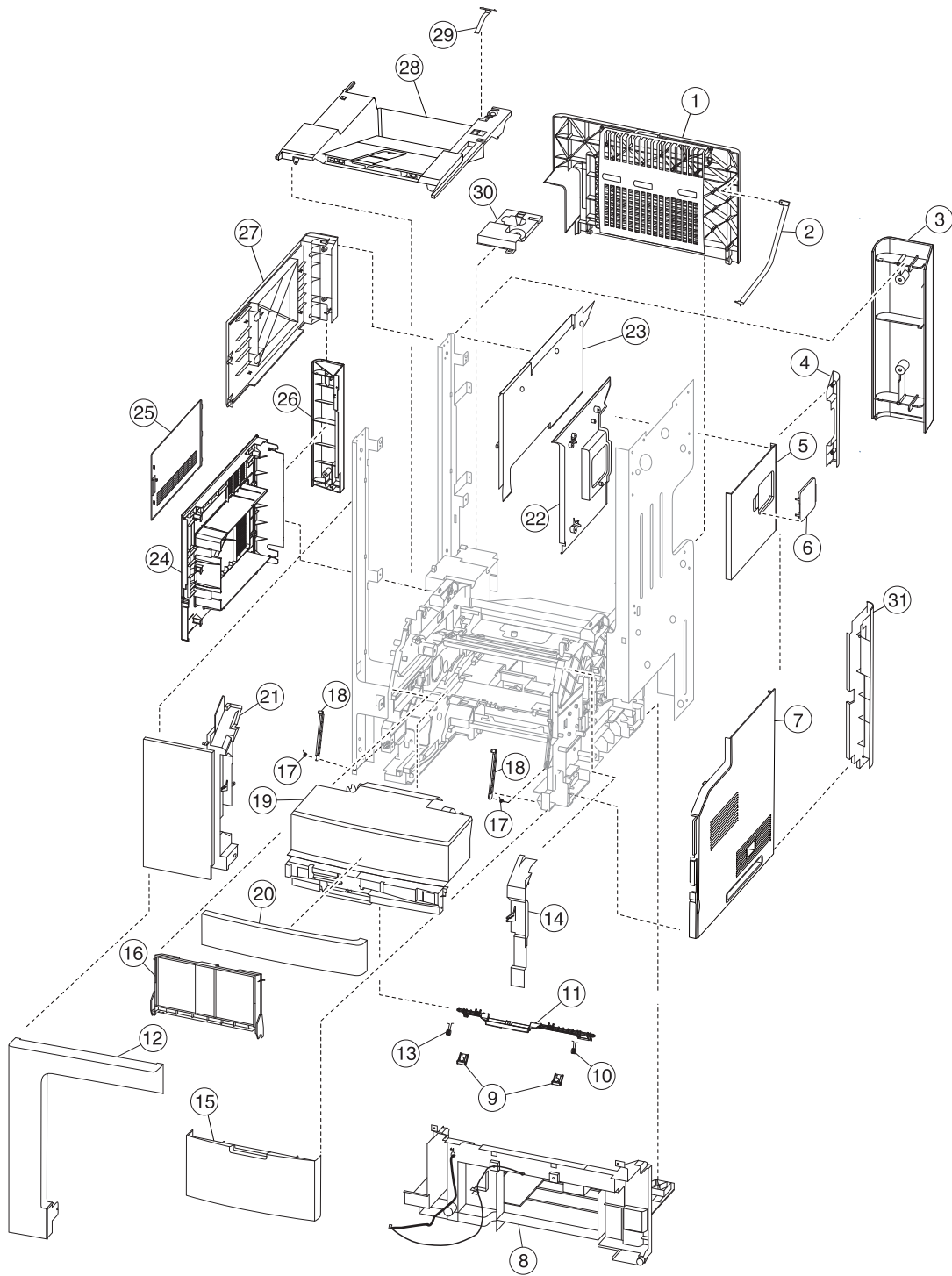
Assembly 1: Covers (MX71x)



Assembly 1: Covers (MX71x)

Asm-index	P/N	Units/mach	Units/FRU	Description	Removal procedure
1	40X7678	1	1	Rear door	See “Rear door removal” on page 307.
2	40X7726	1	1	Rear door support	N/A
3	40X7904	1	1	Rear lower cover	See “Rear lower cover removal” on page 309.
4	40X7907	1	1	Right cover	See “Right cover removal (MX71x)” on page 311.
5	40X7897	1	1	Right inner cover	See “Right inner cover removal (MX71x)” on page 313.
6	40X7690	2	1	Torsion spring	N/A
7	40X7894	2	1	Front door support link	N/A
8	40X7895	1	1	MPF tray	See “MPF tray removal” on page 333.
9	40X7898	1	1	Front door	See “Front door removal” on page 316.
10	40X7896	1	1	Inner left cover	See “Left inner cover removal” on page 305.
11	40X7949	1	1	Controller board access cover	See “Controller board access cover removal” on page 387.
12	40X7906	1	1	Left cover	See “Left cover removal (MX71x)” on page 301.
13	40X7905	1	1	Standard bin cover	See “Standard bin cover removal (MX71x)” on page 357.
14	40X7604	2	1	Output bin guide	N/A

Assembly 2: Covers (MX81x)

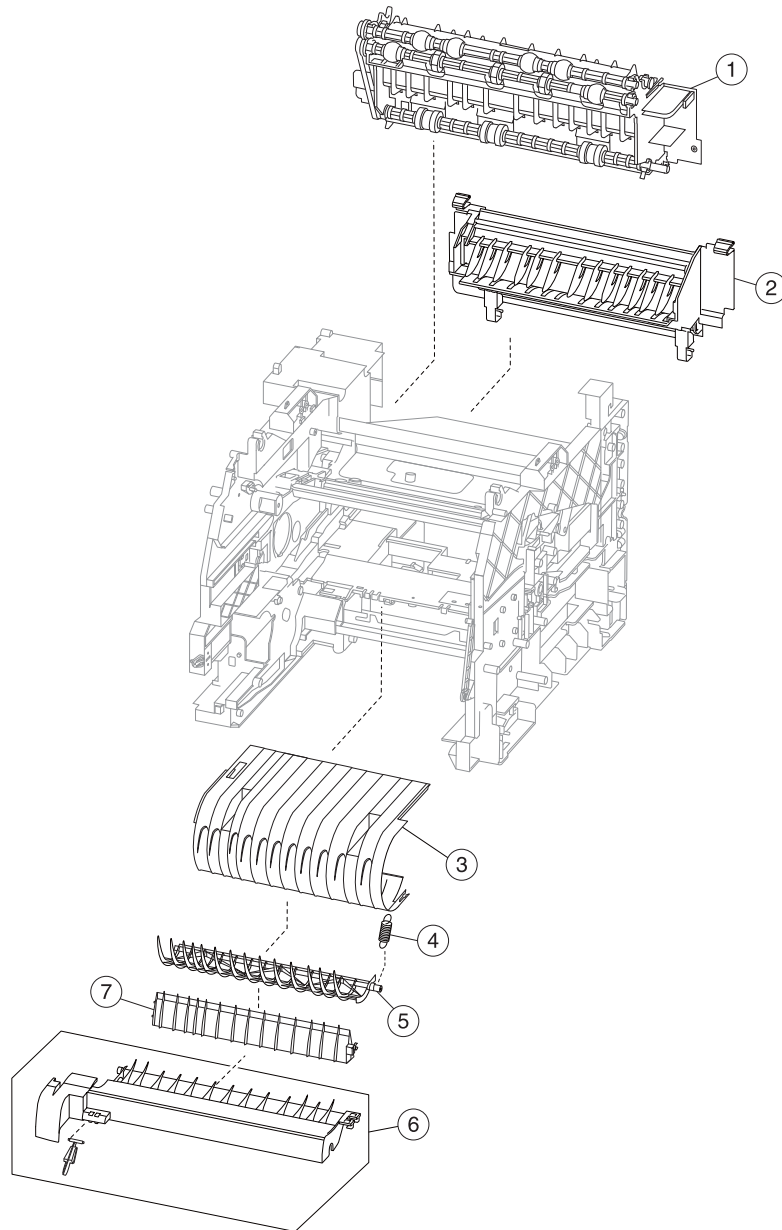


Assembly 2: Covers (MX81x)

Asm-index	P/N	Units/mach	Units/FRU	Description	Removal procedure
1	40X7939	1	1	Rear door	See “Rear door removal” on page 307.
2	40X7726	1	1	Rear door support	N/A
3	40X7924	1	1	Column left rear cover	N/A
4	40X8368	1	1	Column right rear cover	N/A
5	40X7925	1	1	Column right outer cover	See “Column right outer cover removal” on page 300.
6	40X7946	1	1	Stapler door with beacon	N/A
7	40X7930	1	1	Right cover	See “Right cover removal (MX81x)” on page 312.
8	40X7934	1	1	Rear lower door with beacon	See “Rear lower door removal (MX81x)” on page 310.
9	40X7947	2	1	Cartridge door latch bracket	N/A
10	40X7731	1	1	Torsion spring	N/A
11	40X7937	1	1	Cartridge door latch	N/A
12	40X7928	1	1	Column left front cover	See “Column left front cover removal (MX81x)” on page 296.
13	40X7730	1	1	Torsion spring	N/A
14	40X7913	2	1	Right inner cover	N/A
15	40X8037	1	1	Front door	See “Front door removal” on page 316.
16	40X7725	1	1	MPF tray	See “MPF tray removal” on page 333.
17	40X7690	2	1	Torsion spring	N/A
18	40X7715	2	1	Front door support link	N/A
19	40X7938	2	1	Cartridge door with beacon	See “Cartridge door removal” on page 353.
20	40X7950	1	1	Cartridge door front cover	N/A
21	40X7914	1	1	Left inner cover	N/A
22	40X7926	1	1	Column right inner cover	See “Column right inner cover removal” on page 298.
23	40X7929	1	1	Column left inner cover	N/A
24	40X7931	1	1	Left cover	See “Left cover removal (MX81x)” on page 303.

Asm-index	P/N	Units/mach	Units/FRU	Description	Removal procedure
25	40X7951	1	1	Controller board access cover	See “Controller board access cover removal” on page 387.
26	40X7932	1	1	Left rear cover	N/A
27	40X7927	2	1	Column left outer cover	See “Column left outer cover removal (MX81x)” on page 297.
28	40X7940	1	1	Standard bin cover	See “Standard bin cover removal (MX71x)” on page 357.
29	40X7604	1	1	Output bin guide	N/A
30	40X7945	1	1	Sensor bin cover	See “Output bin sensor cover removal” on page 356.
31	40X7933	1	1	Right rear cover	N/A
NS	40X7916	1	1	<ul style="list-style-type: none"> • Cartridge door beacon • MPF door beacon and cable 	N/A
NS	40X7917	1	1	Rear lower door beacon and cable, interlock sensor cable	N/A
NS	40X7918	1	1	Rear door beacon with cable and contacts, interlock sensor cable	N/A
NS	40X7919	1	1	Stapler door beacon and cable	N/A
NS	40X7921	1	1	Rear door beacon	N/A
NS	40X7922	1	1	Front door interlock sensor cable	N/A
NS	40X7573	1	1	Standard tray beacon and cable	N/A
NS	40X7915	1	1	Pick arm beacon cable	N/A

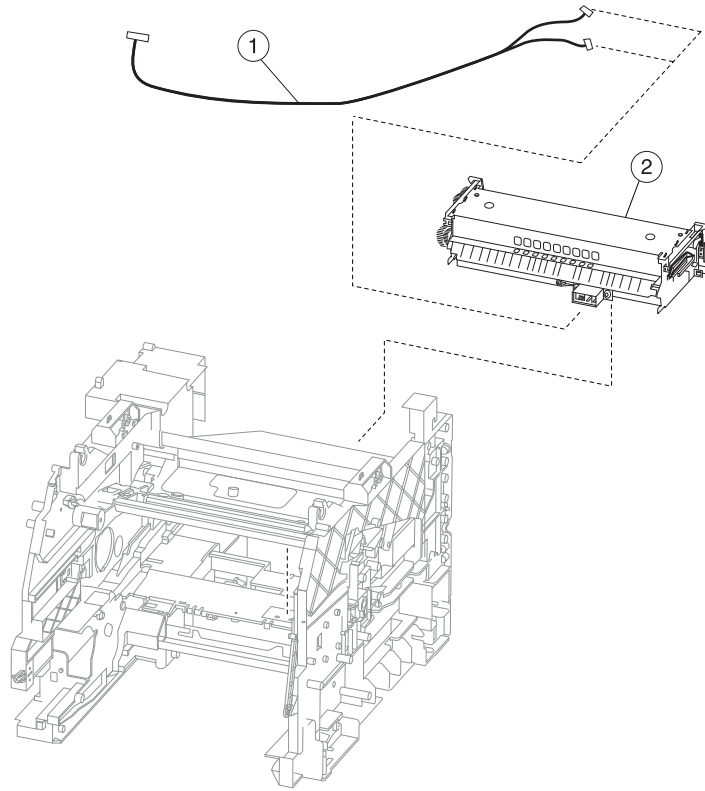
Assembly 3: Paper path




Assembly 3: Paper path

Asm-index	P/N	Units/mach	Units/FRU	Description	Removal procedure
1	40X7602	1	1	Upper redrive	See “Upper redrive removal” on page 363.
2	40X7588	1	1	Fuser access door (MX81x)	See “Fuser access door removal” on page 349.
2	40X8399	1	1	Fuser access door (MX71x)	See “Fuser access door removal” on page 349.
3	40X7587	1	1	Inner guide deflector	See “Inner guide deflector removal” on page 318.
4	40X7585	1	1	Recoil spring	N/A
5	40X7584	1	1	Duplex exit diverter	See “Duplex exit diverter removal” on page 314.
6	40X7583	1	1	Media turn guide	See “Media turn guide removal” on page 325.
7	40X7586	1	1	Media vertical guide	See “Media vertical guide removal” on page 326.

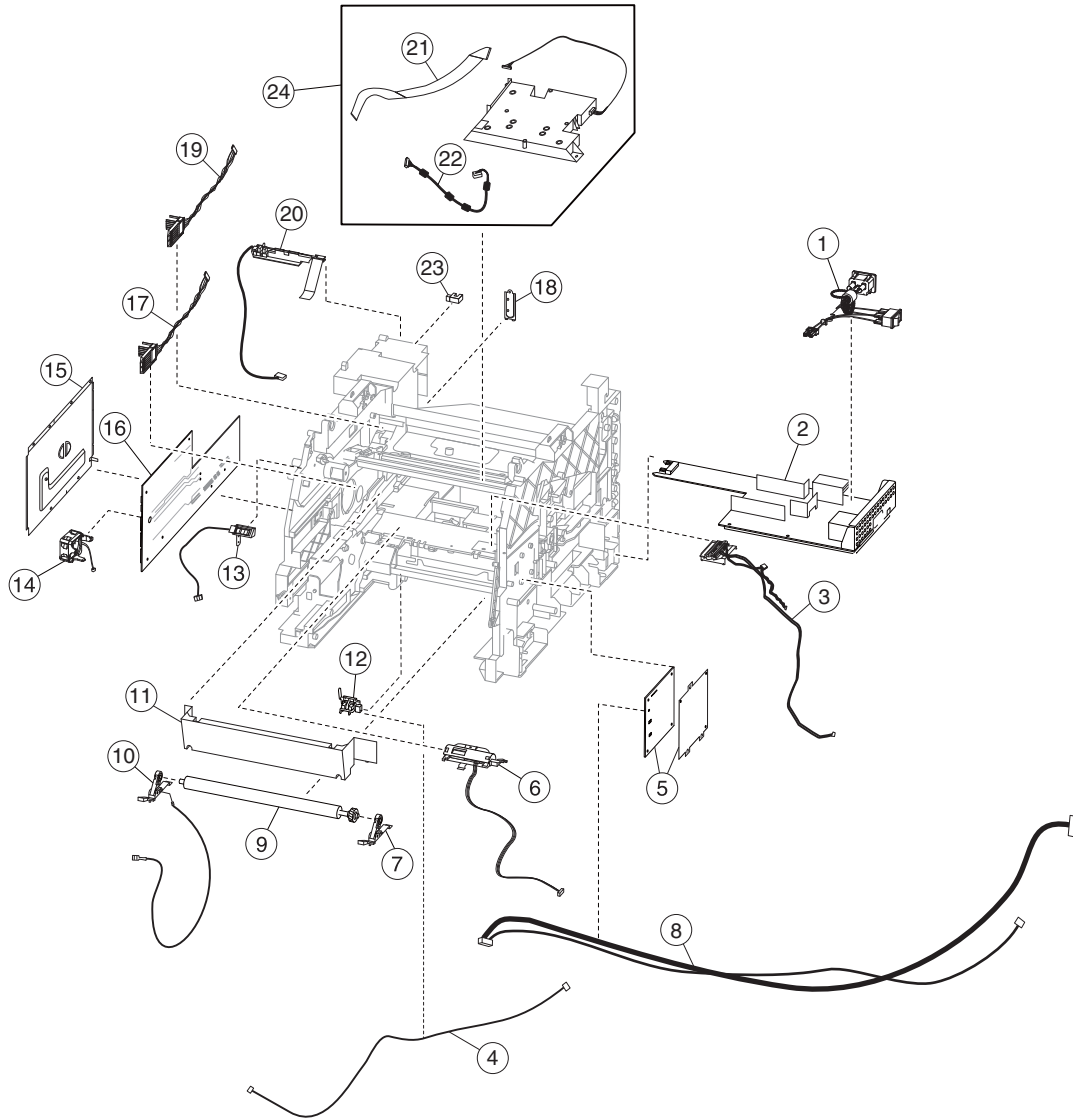
Assembly 4: Fusers



Assembly 4: Fusers

Asm-index	P/N	Units/mach	Units/FRU	Description	Removal procedure
1	40X7577		Fuser data cable	N/A	
2	40X7743	1	1	MX81x Return Program Fuser Type 00, 110-120V Letter 	See “Fuser removal” on page 347.
2	40X7744	1	1	MX81x Return Program Fuser Type 01, 220-240V A4	See “Fuser removal” on page 347.
2	40X7745	1	1	MX81x Return Program Fuser Type 02, 100V A4	See “Fuser removal” on page 347.
2	40X7581	1	1	MX81x Return Program Fuser Type 03, 110-120V A4	See “Fuser removal” on page 347.
2	40X7734	1	1	MX81x Return Program Fuser Type 04, 220-240V Letter	See “Fuser removal” on page 347.
2	40X8016	1	1	MX81x Fuser Type 05, 110-120V Letter	See “Fuser removal” on page 347.
2	40X8017	1	1	MX81x Fuser Type 06, 220-240V A4	See “Fuser removal” on page 347.
2	40X8018	1	1	MX81x Fuser Type 07, 100V A4	See “Fuser removal” on page 347.
2	40X8019	1	1	MX81x Fuser Type 08, 110-120V A4	See “Fuser removal” on page 347.
2	40X8020	1	1	MX81x Fuser Type 09, 220-240V Letter	See “Fuser removal” on page 347.

Assembly 5: Electronics

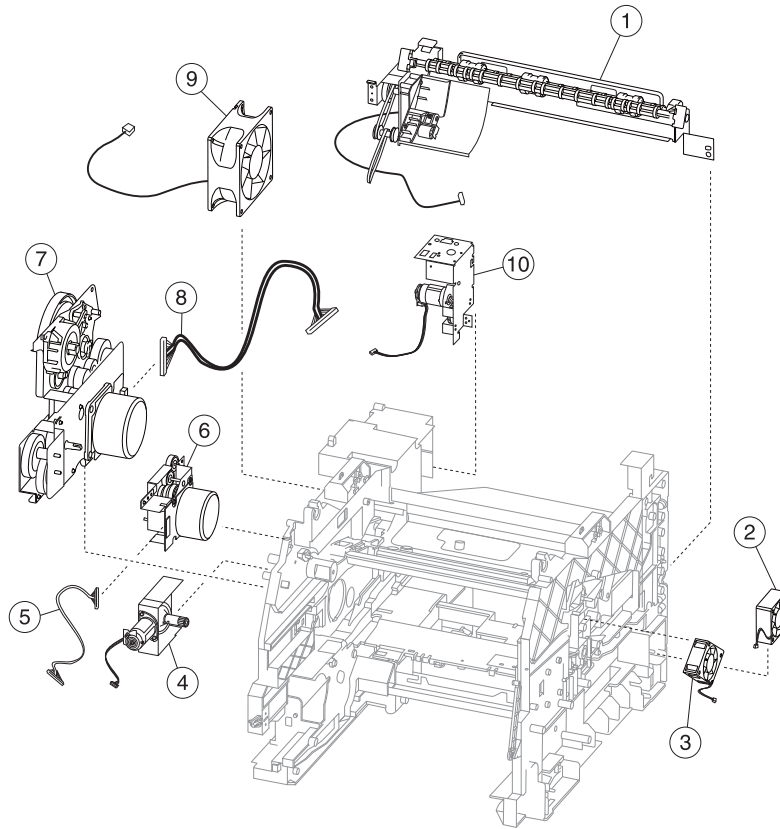


Assembly 5: Electronics



Asm-index	P/N	Units/mach	Units/FRU	Description	Removal procedure
1	40X8101	1	1	Power switch	See “Power switch removal” on page 406.
2	40X7676	1	1	LVPS	See “LVPS removal” on page 403.
3	40X7685	1	1	Toner level / imaging unit high voltage contact	See “HVPS removal” on page 402.
4	40X7688	1	1	Input sensor cable	N/A
5	40X7578	1	1	HVPS	See “HVPS removal” on page 402.
6	40X7686	1	1	Sensor (toner density) Includes shutter and cable	See “Sensor (toner density) removal” on page 336.
7	40X7606	1	1	Transfer roller right arm	See “Transfer roller right arm removal” on page 339.
8	40X7699	1	1	HVPS/toner cartridge fan cable	N/A
9	40X7582	1	1	Transfer roller	See “Transfer roller removal” on page 342.
10	40X7605	1	1	Transfer roller left arm with cable	See “Transfer roller left arm with cable removal” on page 338.
11	40X8365	1	1	Printhead access cover	See “Sensor (input) removal” on page 335.
12	40X7607	1	1	Sensor (input)	See “Sensor (input) removal” on page 335.
13	40X7693	1	1	Sensor (control panel interlock) Includes bracket and cable	See “Sensor (control panel interlock) removal” on page 396.
14	40X7874	1	1	Controller board cooling fan	N/A
15	40X8100	1	1	Controller board access shield (MX71x)	See “Controller board access shield removal” on page 388.
15	40X7722	1	1	Controller board access shield (MX81x)	See “Controller board access shield removal” on page 388.
16	40X7893	1	1	Controller board (MX710)	See “Controller board removal” on page 386.
16	40X7936	1	1	Controller board (MX711, MX81x)	See “Controller board removal” on page 386.

Asm-index	P/N	Units/mach	Units/FRU	Description	Removal procedure
17	40X7692	1	1	Toner cartridge smart chip contact with cable	See “Laser printhead removal” on page 320.
18	40X8034	1	1	Option card cover plate	N/A
19	40X7689	1	1	Imaging unit smart chip contact with cable	See “Laser printhead removal” on page 320.
20	40X7691	1	1	Sensor (standard bin full) with output bin guide	See “Sensor (standard bin full) removal” on page 356.
21	40X7708	1	1	Printhead video cable	See “Laser printhead removal” on page 320.
22	40X7707	1	1	Printhead power cable	See “Laser printhead removal” on page 320.
23	40X7592	1	1	Interrupt sensor (MX71x) <ul style="list-style-type: none"> • sensor (rear door interlock) 	See “Sensor (rear door interlock) removal” on page 352.
23	40X8036	1	1	Interrupt sensor (MX81x) <ul style="list-style-type: none"> • sensor (rear door interlock) 	See “Sensor (rear door interlock) removal” on page 352.
24	40X7597	1	3	Laser printhead (quad diode) Includes data and power cables	See “Laser printhead removal” on page 320.

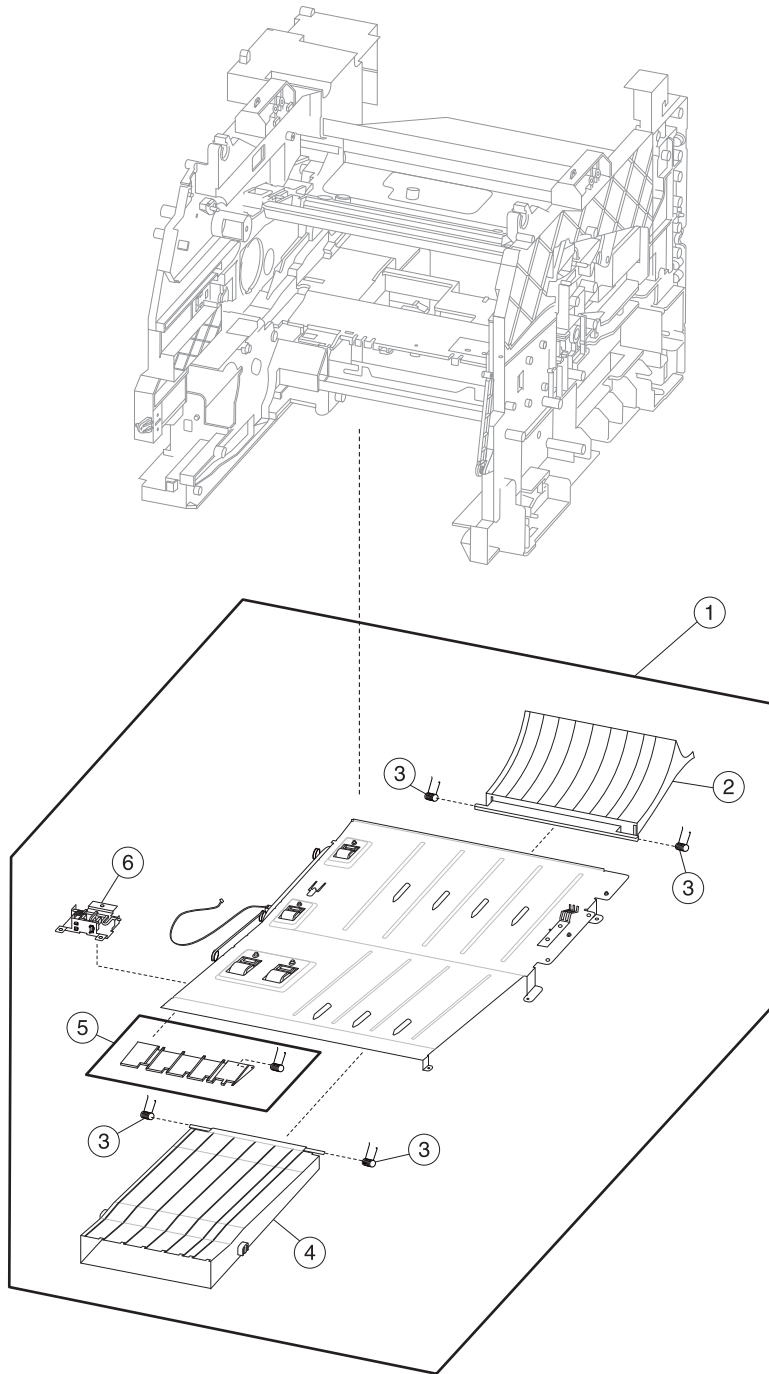
Assembly 6: Drive motors



Assembly 6: Drive motors

Asm-index	P/N	Units/mach	Units/FRU	Description	Removal procedure
1	40X7684	1	1	Duplex motor with cable	See “Duplex motor removal” on page 345.
2	40X7695	1	1	Duplex cooling fan	See “Duplex cooling fan removal” on page 401.
3	40X7580	1	1	Cartridge cooling fan	See “Cartridge cooling fan removal” on page 400.
4	40X7596	1	1	Toner add motor with cable	See “Toner add motor removal” on page 398.
5	40X7576	1	1	Fuser drive motor cable	See “Fuser drive motor removal” on page 388.
6	40X7595	1	1	Fuser drive motor 	See “Fuser drive motor removal” on page 388.
6	40X8401	1	1	Fuser drive motor 	See “Fuser drive motor removal” on page 388.
7	40X7594	1	1	Main drive motor	See “Main drive motor removal” on page 391.
8	40X7574	1	1	Main motor cable	See “Main cooling fan removal” on page 390.
9	40X7579	1	1	Main cooling fan with cable	See “Main cooling fan removal” on page 390.
10	40X7682	1	1	Upper redrive motor with cable	See “Upper redrive motor removal” on page 361.

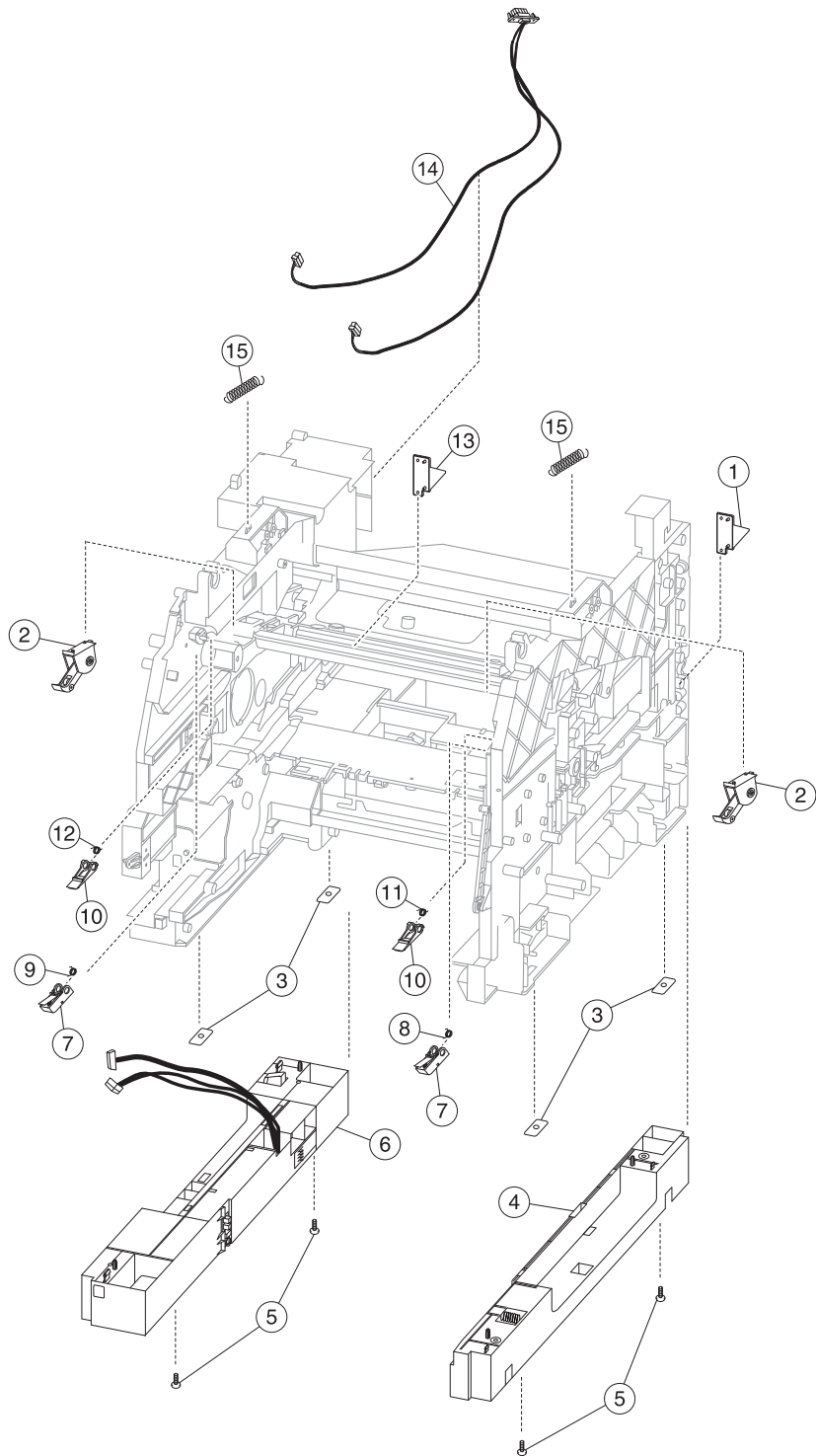
Assembly 7: Duplex



Assembly 7: Duplex

Asm-index	P/N	Units/mach	Units/FRU	Description	Removal procedure
1	40X7683	1	1	Internal duplex with cable	N/A
2	40X7668	1	1	Duplex rear flap	See “Duplex rear flap removal” on page 369.
3	40X7723	4	1	Torsion spring	N/A
4	40X7667	1	1	Duplex front flap	See “Duplex front flap removal” on page 368.
5	40X7952	1	1	Duplex jam release guide	N/A
6	40X7697	1	1	Sensor (duplex path) with cable	See “Sensor (duplex path) removal” on page 378.

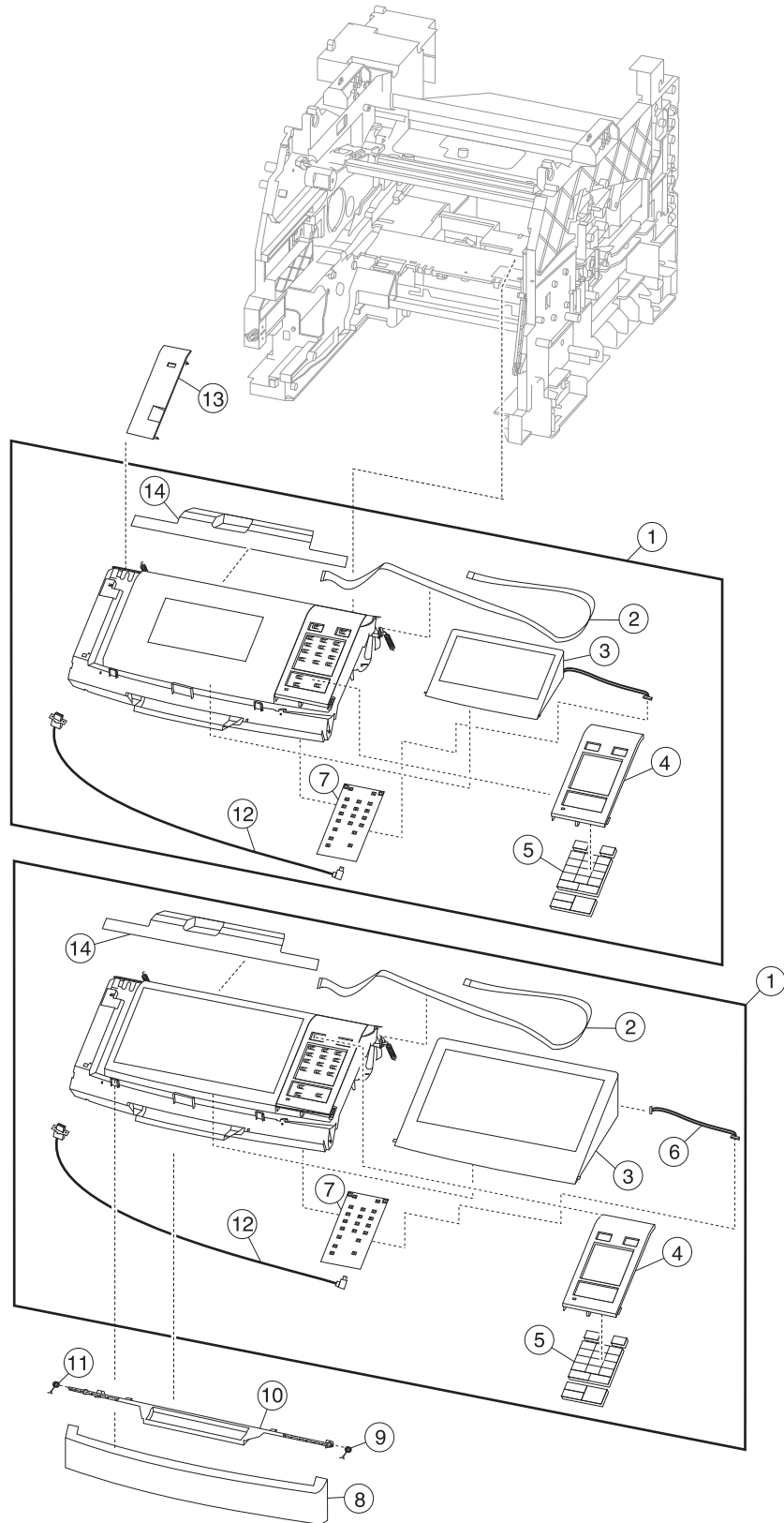
Assembly 8: Frame



Assembly 8: Frame

Asm-index	P/N	Units/mach	Units/FRU	Description	Removal procedure
1	40X7733	1	1	Right frame pivot	See “Right frame pivot removal” on page 351.
2	40X7717	1	1	Toner cartridge clamp	N/A
3	40X7589	1	1	Fastener plate	N/A
4	40X8414	1	1	Right frame extension (MX81x)	See “Right frame extension removal (MX81x)” on page 383.
4	40X7728	1	1	Right frame extension (MX71x)	See “Right frame extension (MX71x)” on page 381.
5	40X7590	1	1	M5x12 screw	N/A
6	40X8413	1	1	Left frame extension (MX81x) <ul style="list-style-type: none"> • with media size sensor with cable • with input option interface cable • with sensor (media tray position) with cable 	See “Left frame extension removal (MX81x)” on page 372.
6	40X7727	1	1	Left frame extension (MX71x) <ul style="list-style-type: none"> • with media size sensor with cable • with input option interface cable • with sensor (media tray position) with cable 	See “Left frame extension removal (MX71x)” on page 370.
7	40X7716	1	1	Toner cartridge lock	N/A
8	40X7719	1	1	Torsion spring	N/A
9	40X7721	1	1	Torsion spring	N/A
10	40X7714	1	1	Imaging unit clamp	N/A
11	40X7720	1	1	Torsion spring	N/A
12	40X7718	1	1	Torsion spring	N/A
13	40X7732	1	1	Left frame pivot	See “Left frame pivot removal” on page 350.
14	40X7575	1	1	Top option interface cable	N/A
15	40X7724	2	1	Recoil spring (MX81x)	N/A

Assembly 9: Control panel (MX71x)

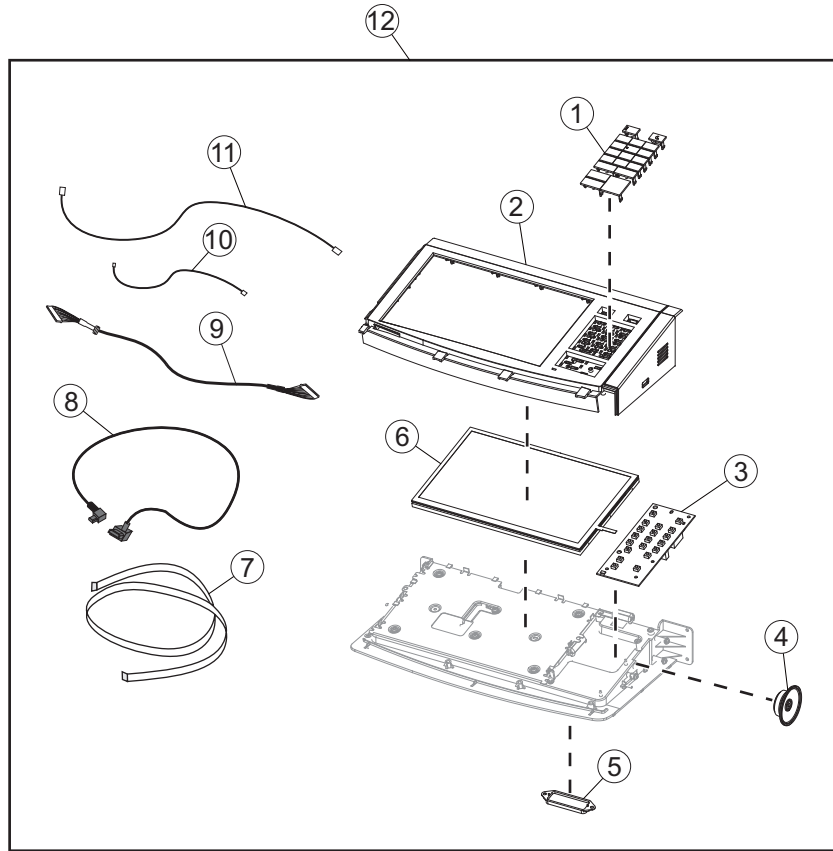


Assembly 9: Control panel (MX71x)

Asm-index	P/N	Units/mach	Units/FRU	Description	Removal procedure
1	40X7860	1	1	Control panel (MX710)	See “Control panel removal (MX71x)” on page 414.
1	40X7877	1	1	Control panel (MX711)	See “Control panel removal (MX71x)” on page 414.
2	40X7873	1	1	Controller board to control panel board cable	N/A
3	40X8485	1	1	Tilting 7-inch display	See “Tilting display removal (7-inch and 10-inch)” on page 438.
3	40X8486	1	1	Tilting 10-inch display	See “10-inch display removal” on page 409.
4	40X7865	1	1	Control panel right bezel	See “Control panel right bezel removal (MX71x)” on page 431.
5	40X7863	1	1	Control panel buttons	N/A
6	40X7881	1	1	Display to control panel board cable (MX711, MX81x)	N/A
7	40X7879	1	1	Control panel board (MX711)	See “Control panel board removal (MX71x)” on page 421.
7	40X7862	1	1	Control panel board (MX710)	See “Control panel board removal (MX71x)” on page 421.
8	40X7864	1	1	Control panel front cover	See “Control panel front cover removal” on page 426.
9	40X7731	1	1	Torsion spring	N/A
10	40X7868	1	1	Control panel latch	See “Control panel latch removal” on page 428.
11	40X7730	1	1	Torsion spring	N/A
12	40X7871	1	1	USB cable (MX71x)	N/A
13	40X8366	1	1	Control panel left bezel (MX710)	See “Control panel left bezel removal (MX71x)” on page 429.
13	40X8367	1	1	Control panel left bezel (MX711)	See “Control panel left bezel removal (MX71x)” on page 429.
13	40X8586	1	1	Control panel left bezel (XM5163)	See “Control panel left bezel removal (MX71x)” on page 429.
13	40X8587	1	1	Control panel left bezel (XM5170)	See “Control panel left bezel removal (MX71x)” on page 429.
13	40X8588	1	1	Control panel left bezel (XM7150)	See “Control panel left bezel removal (MX71x)” on page 429.
13	40X8388	1	1	Control panel left bezel (XM5155)	See “Control panel left bezel removal (MX71x)” on page 429.

Asm-index	P/N	Units/mach	Units/FRU	Description	Removal procedure
13	40X8389	1	1	Control panel left bezel (XM5163)	See “Control panel left bezel removal (MX71x)” on page 429.
13	40X8390	1	1	Control panel left bezel (XM7170)	See “Control panel left bezel removal (MX71x)” on page 429.
14	40X7867	1	1	Control panel upper cover	N/A

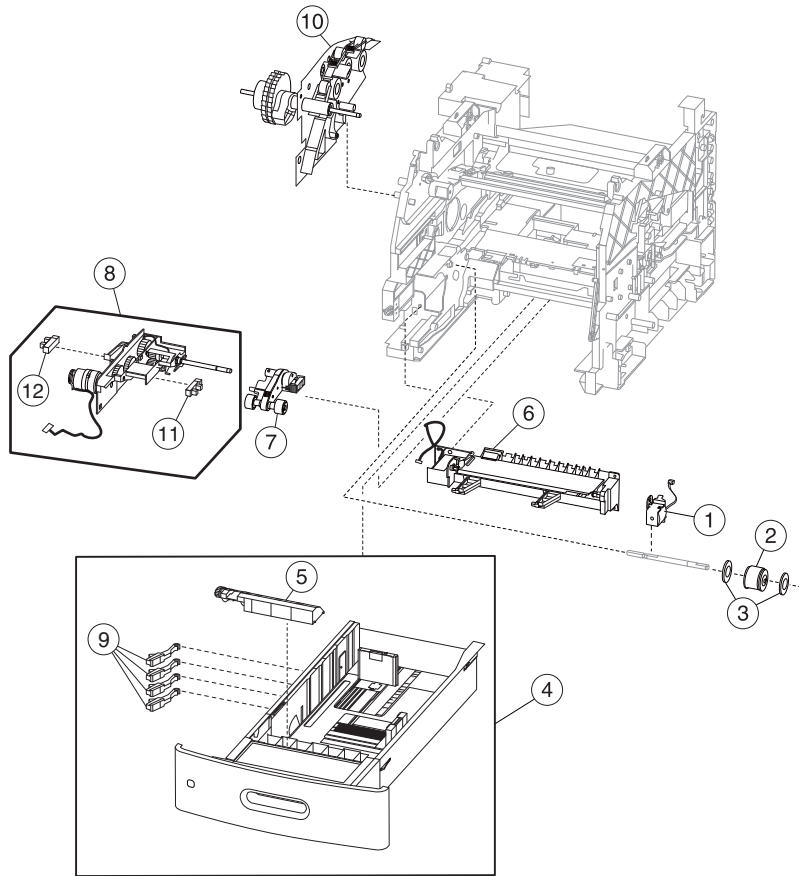
Assembly 10: Control panel 10-inch display (MX81x)



Assembly 10: Control panel 10-inch display (MX81x)

Asm-index	P/N	Units/mach	Units/FRU	Description	Removal procedure
1	40X7887	1	1	Control panel buttons parts pack	N/A
2	40X7892	1	1	Control panel cover	N/A
3	40X7884	1	1	Control panel board	N/A
4	40X9079	1	1	Control panel speaker	N/A
5	40X7886	1	1	Standard bin LED board	N/A
6	40X7883	1	1	Display, 10-inch touch-screen	N/A
7	40X7891	1	1	Cable, controller board to control panel board	N/A
8	40X7888	1	1	USB cable	N/A
9	40X7881	1	1	Cable, display to control panel	N/A
10	40X7889	1	1	Cable, standard bin LED	N/A
11	40X7890	1	1	Speaker cable	N/A
12	40X7882	1	1	Control panel assembly	N/A

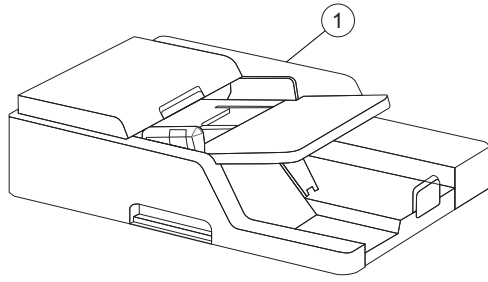
Assembly 11: Paper tray



Assembly 11: Paper tray

Asm-index	P/N	Units/mach	Units/FRU	Description	Removal procedure
1	40X7712	1	1	MPF feeder solenoid	N/A
2	40X7600	1	1	MPF pick roller	See “MPF pick roller removal” on page 331.
3	40X7601	2	1	MPF feed roller flange	N/A
4	40X7742	1	1	550-sheet tray insert (MX71x)	N/A
4	40X7948	1	1	550-sheet tray insert (MX81x)	N/A
5	40X7713	1	1	Separator roller assembly	See “Separator roller assembly removal” on page 381.
6	40X7598	1	1	MPF feeder lift plate with cable	See “MPF feeder lift plate removal” on page 328.
7	40X7593	1	1	Pick roller assembly	See “Pick roller assembly removal” on page 377.
8	40X7591	1	1	Media feeder	See “Media feeder removal” on page 393.
9	40X8541	4	1	Media size actuator	“Media size actuator removal” on page 375
10	40X7599	1	1	Media aligner roller with MPF pick roller	See “Media aligner roller removal” on page 323.
11	40X7592	1	1	Interrupt sensor <ul style="list-style-type: none"> • Sensor (media empty) 	N/A
12	40X7592	1	1	Interrupt sensor <ul style="list-style-type: none"> • Sensor (pick roller position) 	See “Sensor (pick roller position) removal” on page 397.

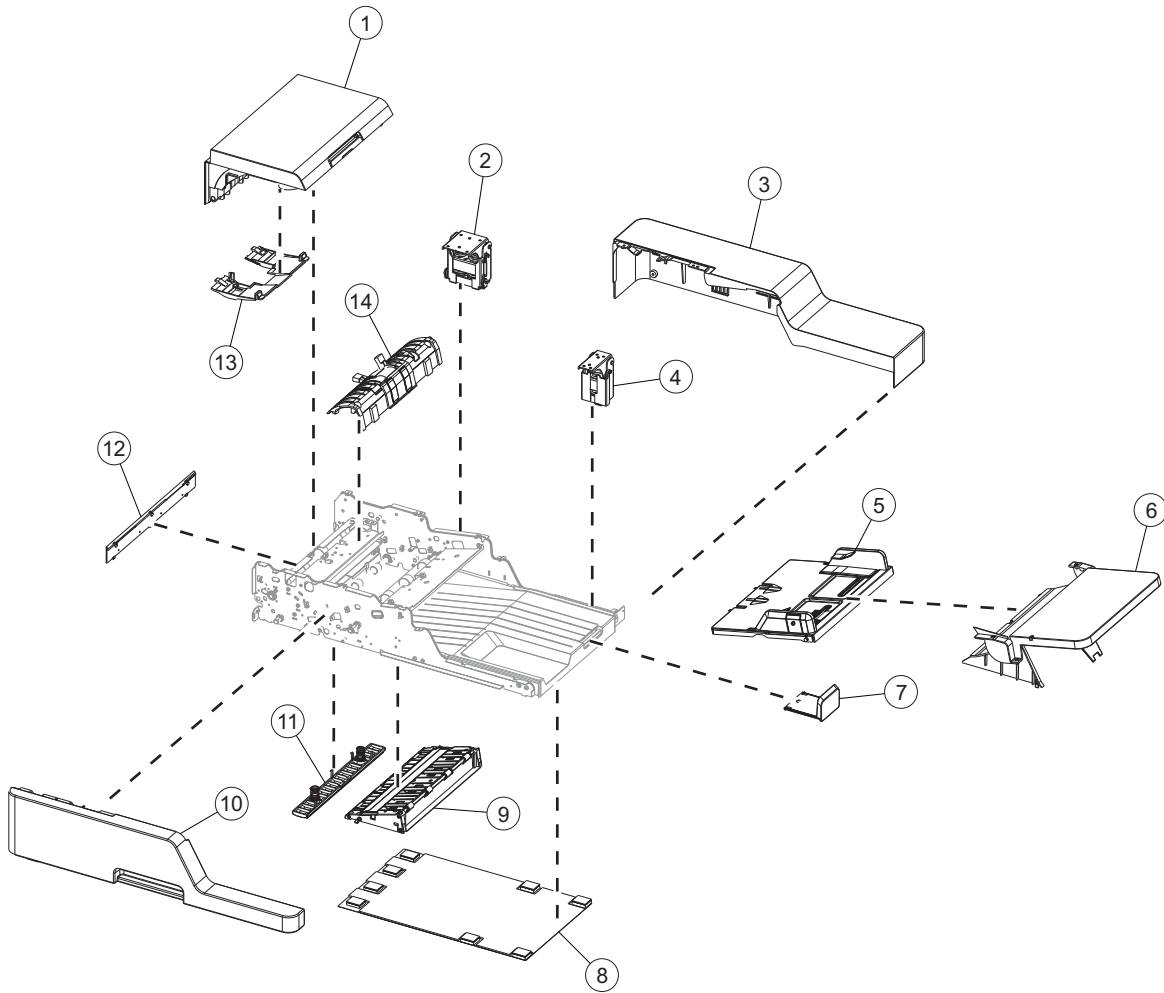
Assembly 12: ADF assembly



Assembly 12: ADF assembly

Asm-index	P/N	Units/mach	Units/FRU	Description	Removal procedure
1	40X7765	1	1	ADF assembly (MX710)	"ADF assembly removal" on page 448
1	40x7799	1	1	ADF assembly (MX711)	"ADF assembly removal" on page 448
1	40x7748	1	1	ADF assembly (MX81x)	"ADF assembly removal" on page 448

Assembly 13: ADF covers

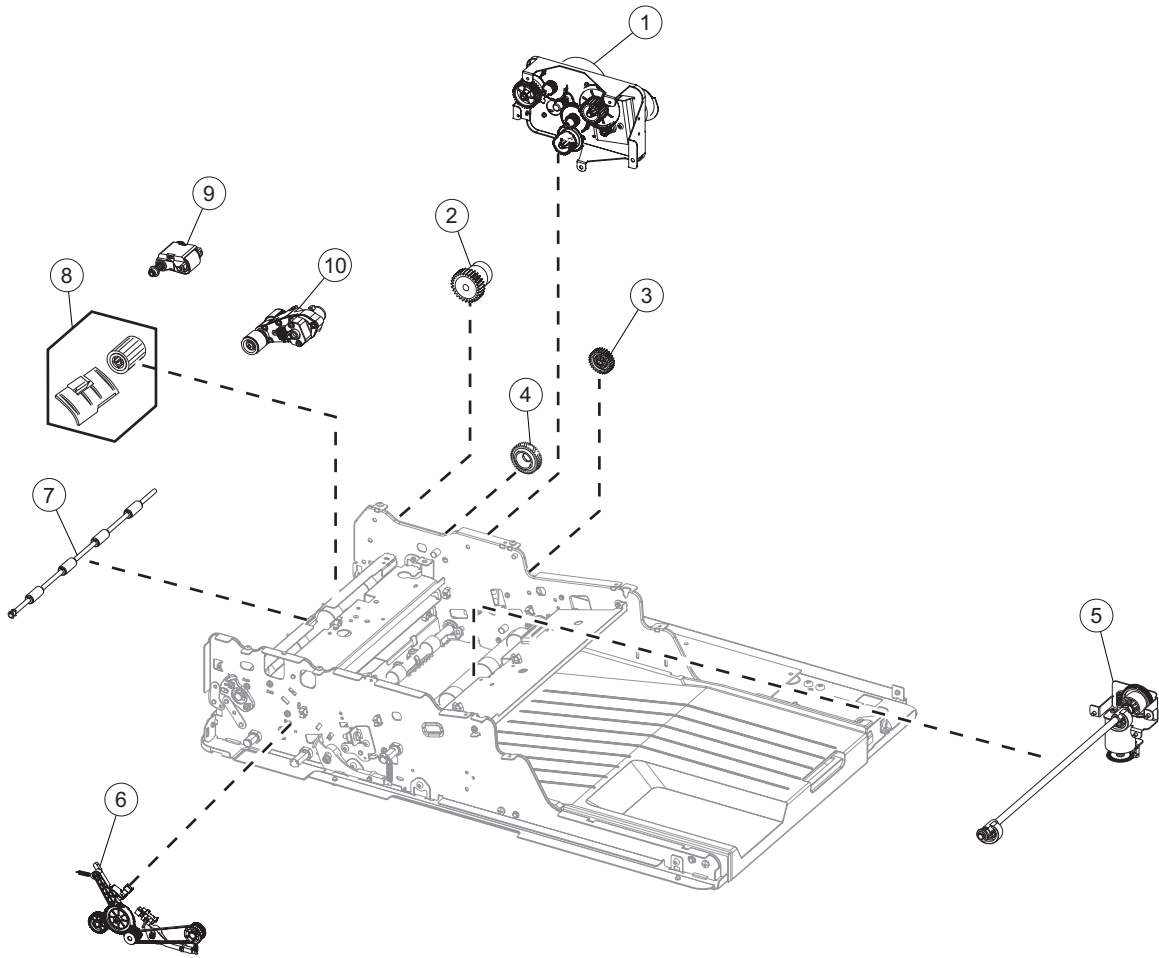


Assembly 13: ADF covers

Asm-index	P/N	Units/mach	Units/FRU	Description	Removal procedure
1	40X7755	1	1	ADF top door w/o beacon and MF sensor (MX71x)	"ADF door removal" on page 455
1	40X7794	1	1	ADF top door w/ beacon and MF sensor (MX81x)	"ADF door removal" on page 455
2	40X7763	1	1	ADF left hinge	"ADF left hinge removal" on page 463
3	40X7753	1	1	ADF rear cover	"ADF rear cover removal" on page 470
4	40X7762	1	1	ADF right hinge	"ADF right hinge removal" on page 472
5	40X7781	1	1	ADF lift tray	"ADF lift tray removal" on page 466
6	40X7780	1	1	ADF input tray	"ADF input tray removal" on page 461
7	40X7756	1	1	Bin extension	"Bin extension removal" on page 484
8	40X7766	1	1	Flatbed glass cushion	"Flatbed glass cushion removal" on page 504
9	40X8371	1	1	ADF bottom door (MX71x)	"ADF bottom door removal" on page 449
9	40X7761	1	1	ADF bottom door (MX81x)	"ADF bottom door removal" on page 449
10	40X7793	1	1	ADF front cover w/o lightpipe (MX71x)	"ADF front cover removal" on page 459
10	40X7752	1	1	ADF front cover w/ lightpipe (MX81x)	"ADF front cover removal" on page 459
11	40X7772	1	1	ADF float plate w/ springs	"ADF float plate with springs removal" on page 457

Asm-index	P/N	Units/mach	Units/FRU	Description	Removal procedure
12	40X7754	1	1	ADF left lower cover	“ADF left lower cover removal” on page 464
13	40X7759	1	1	ADF pick roller cover	“ADF pick roller cover removal” on page 467
14	40X7760	1	1	ADF separation guide	“ADF separation guide removal” on page 473

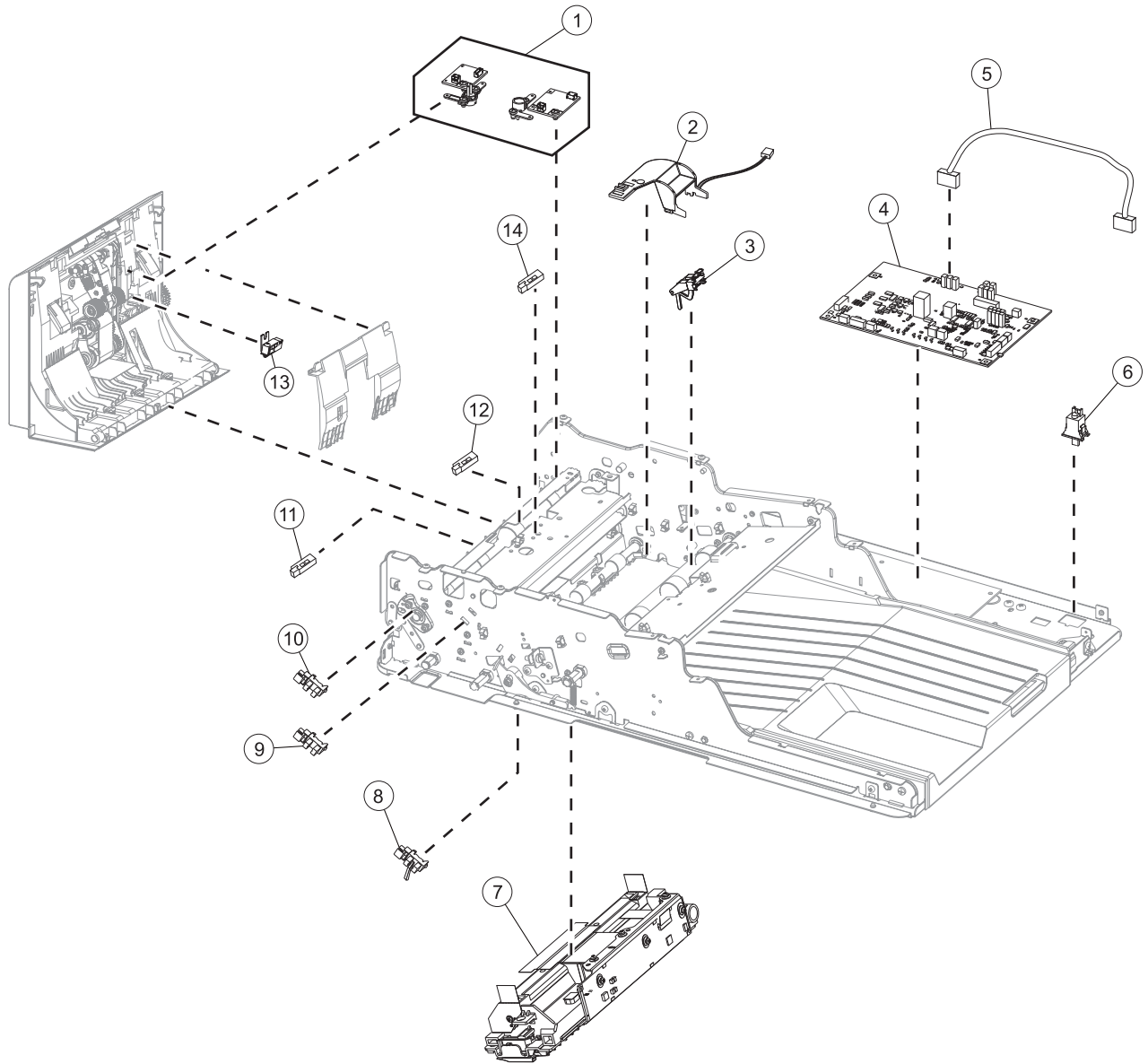
Assembly 14: ADF mechanical



Assembly 14: ADF mechanical

Asm-index	P/N	Units/mach	Units/FRU	Description	Removal procedure
1	40X7769	1	1	ADF rear side drive parts pack	"ADF rear side drive parts pack removal" on page 472
2	40X7751	1	1	Magnetic clutch	"Magnetic clutch removal" on page 489
3	40X7757	1	1	Gear (29t), separation roll drive	"Separation roll drive gear (29t) removal" on page 496
4	40X7758	1	1	Gear (40t), 1st scan roll drive	"First scan roll drive gear (40t) removal" on page 485
5	40X7768	1	1	ADF tray lift drive	"ADF tray lift drive removal" on page 480
6	40X7767	1	1	ADF front side drive parts pack	"ADF front side drive parts pack removal" on page 460
7	40X7935	1	1	Deskew idler shaft	"Deskew idler shaft removal" on page 484
8	40X7775	1	1	ADF separator roller	"ADF separator roller removal" on page 474
9	40X7749	1	1	ADF feed belt	"ADF feed belt removal" on page 456
10	40X7774	1	1	ADF pick roller	"ADF pick roller removal" on page 468

Assembly 15: ADF electronics

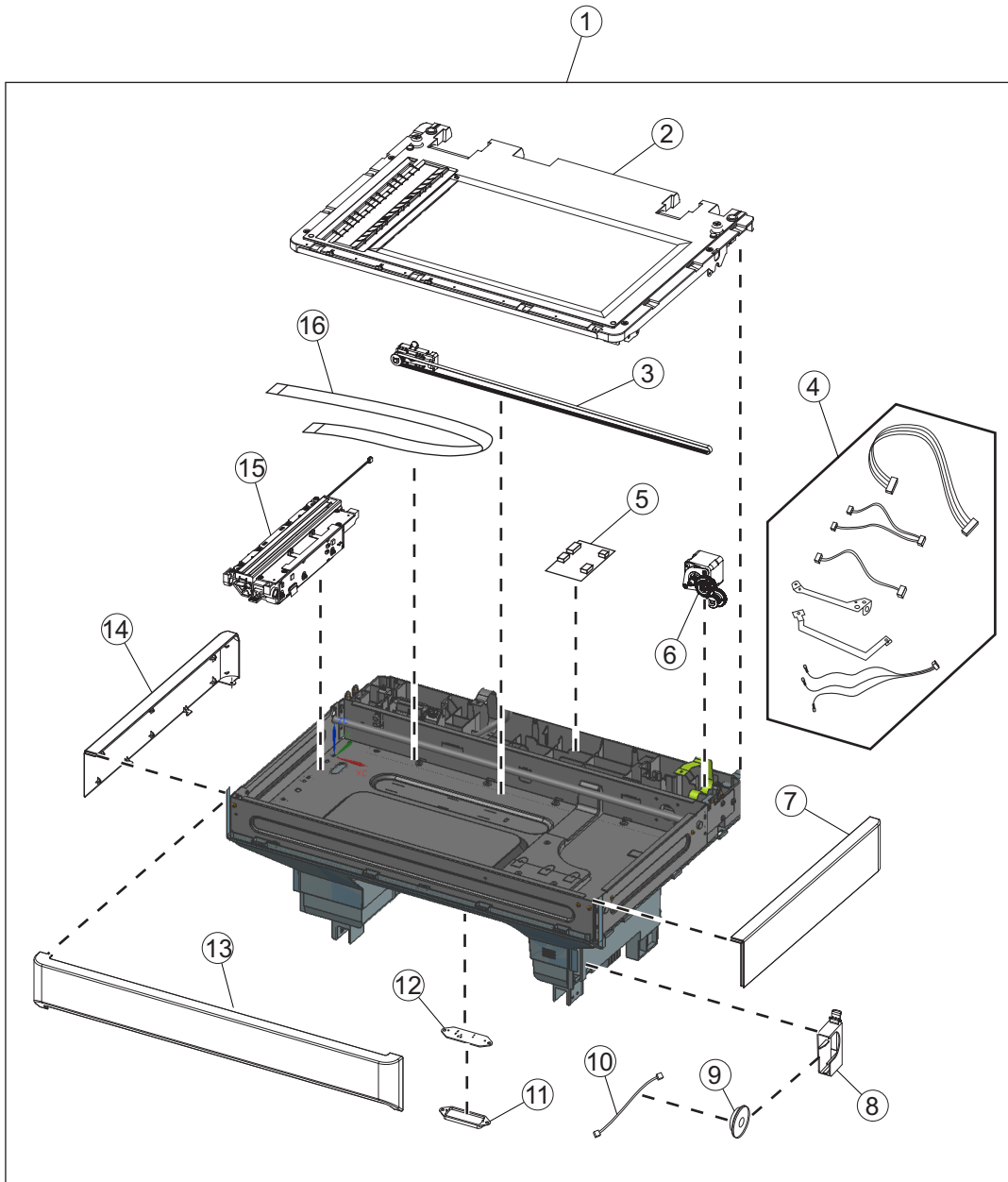


Assembly 15: ADF electronics

Asm-index	P/N	Units/mach	Units/FRU	Description	Removal procedure
1	40X7853	1	1	Multifeed sensor parts kit	“Multifeed sensor parts kit removal” on page 490
2	40X8536	1	1	Sensor (ADF media present)	“Sensor (ADF media present) removal” on page 493
3	40X7777	1	1	Interrupt w/flag sensor (ADF exit)	“Interrupt with flag sensor (ADF media exit) removal” on page 487
4	40X7771	1	1	ADF controller card	“ADF controller card removal” on page 454
5	40X8501	1	1	ADF to controller cable (MX71x)	N/A
5	40X8502	1	1	ADF to controller cable (MX81x)	N/A
6	40X7778	1	1	Push button switch sensor (ADF closed)	“ADF push button switch sensor removal” on page 469
7	40X7792	1	1	ADF CCD scanner	“ADF scanner CCD removal” on page 450
8	40X7776	1	1	Interrupt w/ flag sensor (ADF 2nd scan)	“Interrupt with flag sensor (ADF 2nd scan) removal” on page 486
9	40X7592	1	1	Sensor (ADF lower door interlock)	“Sensor (ADF lower door interlock) removal” on page 478
10	40X7592	1	1	Sensor (ADF top door interlock)	“Sensor (ADF top door interlock) removal” on page 479
11	40X7779	1	1	Sensor (ADF 1st scan)	N/A
12	40X7779	1	1	Sensor (ADF skew detect)	“Sensor (ADF skew detect) removal” on page 495
13	40X7779	1	1	Sensor (ADF gap detect)	See “Sensor (ADF gap detect) removal” on page 492.
14	40X7779	1	1	Sensor (ADF pick)	“Sensor (ADF pick) removal” on page 494

Asm-index	P/N	Units/mach	Units/FRU	Description	Removal procedure
NS	40X7770	1	1	Cable parts pack, which includes the following: <ul style="list-style-type: none"> • ADF electrical cables parts pack • Tray lift motor cable • ADF pick motor cable • ADF transport motor cable • MDC to back jam bcn 1& 2 • MDC to FB len rcv • MDC to TCC • Exit, ADF top cover, lift handle bcn, & bd sw • ADF sensor cable • ADF closed sensor cable • ADF CCD ribbon cable • TCC to elevator sensor • ADF hinge ground cable • ADF lower guide ground cable • ADF tray LED cable • ADF multifeed sensor receive cable • ADF tray lift position HP cable 	N/A
NS	40X7608	1	1	ADF front indicator	N/A

Assembly 16: Flatbed scanner (MX710 and MX711)

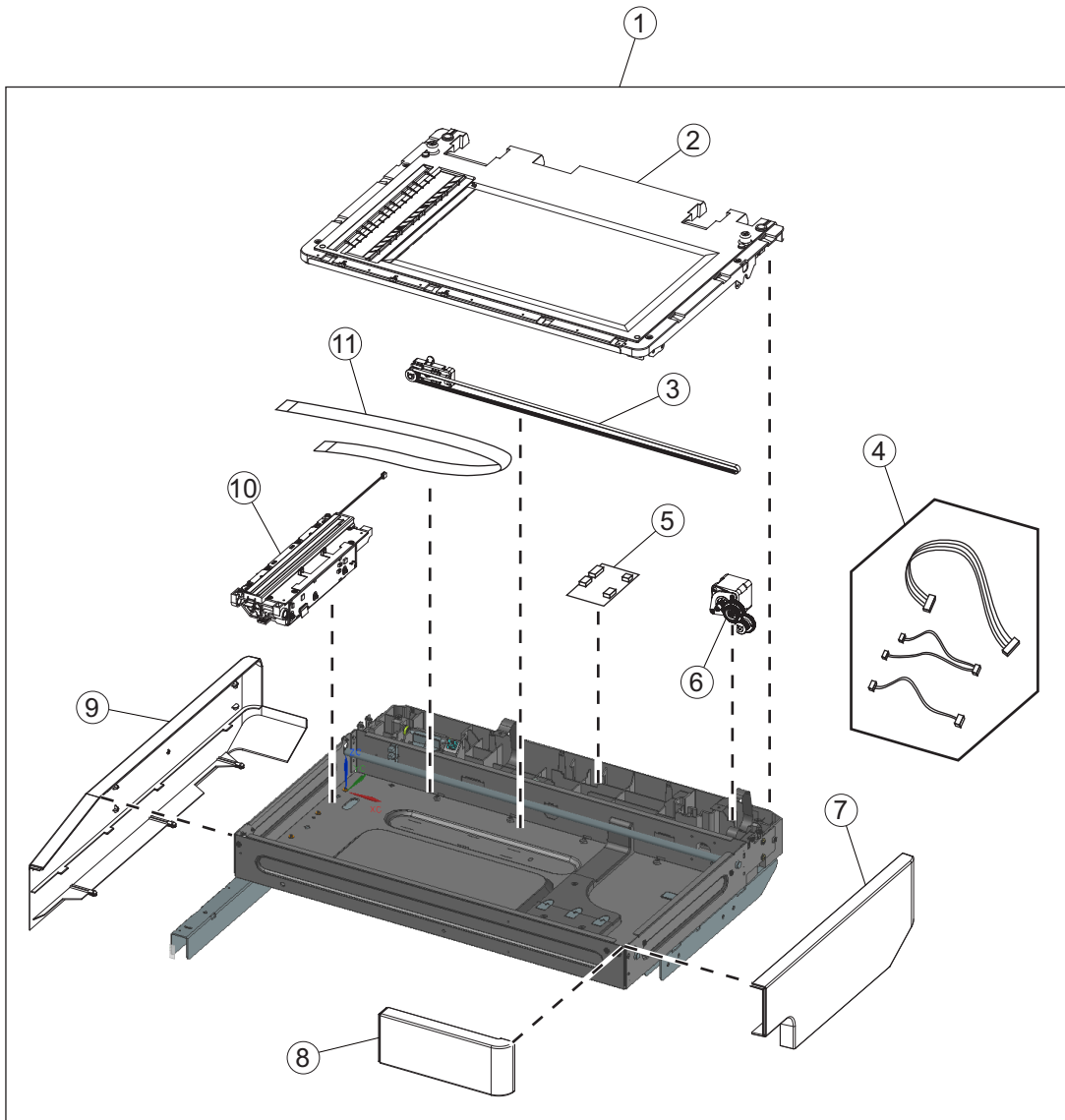


Assembly 16: Flatbed scanner (MX710 and MX711)

Asm-index	P/N	Units/mach	Units/FRU	Description	Removal procedure
1	40X7912	1	1	Flatbed scanner (MX71x)	“Flatbed scanner assembly removal” on page 499
2	40X7783	1	1	Flatbed scanner glass	“Flatbed scanner glass removal” on page 513
3	40X7788	1	1	Flatbed scanner tension pulley w/ belt	“Flatbed tension pulley with belt removal” on page 516
4	40X7785	1	1	Flatbed scanner cables part kit, which includes the following: <ul style="list-style-type: none"> • FB motor • FB ICC to ADF PCBA • FB length sensor • FB HP sensor & LED • Ground strap • Ground strap 	N/A
5	40X7784	1	1	Flatbed scanner PCBA	“Flatbed scanner PCBA removal” on page 515
6	40X7787	1	1	Flatbed scanner drive parts kit	“Flatbed scanner drive parts kit removal” on page 510
7	40X7901	1	1	Flatbed right cover	“Flatbed scanner right cover removal” on page 506
8	40X7903	1	1	Speaker bracket	“Flatbed scanner right cover removal” on page 506
9	40X9079	1	1	Speaker, control panel	“Flatbed scanner right cover removal” on page 506
10	40X7908	1	1	Cable, speaker	N/A
11	40X7885	1	1	Standard output bin LED lens	N/A
12	40X8098	1	1	Standard output bin LED PCBA	N/A
13	40X7899	1	1	Flatbed front cover	“Flatbed scanner front cover removal” on page 502

Asm-index	P/N	Units/mach	Units/FRU	Description	Removal procedure
14	40X7902	1	1	Flatbed left cover	“Flatbed scanner left cover removal topic” on page 505
15	40X7786	1	1	Flatbed scanner CCD	“Flatbed scanner CCD removal” on page 506
16	40X8375	1	1	Ribbon cable, flatbed scanner CCD (MX71x)	N/A
NS	40X8099	1	1	Cable, standard output bin LED	N/A

Assembly 17: Flatbed scanner (MX810, MX811 and MX812)



Assembly 17: Flatbed scanner (MX810, MX811 and MX812)

Asm-index	P/N	Units/mach	Units/FRU	Description	Removal procedure
1	40X7782	1	1	Flatbed scanner (MX81x)	“Flatbed scanner assembly removal” on page 499
2	40X7783	1	1	Flatbed scanner glass	“Flatbed scanner glass removal” on page 513
3	40X7788	1	1	Flatbed scanner tension pulley w/ belt	“Flatbed tension pulley with belt removal” on page 516
4	40X7785	1	1	Flatbed scanner cables part kit, which includes the following: <ul style="list-style-type: none"> • FB motor • FB ICC to ADF PCBA • FB length sensor • FB HP sensor & LED • Ground strap • Ground strap 	N/A
5	40X7784	1	1	Flatbed scanner PCBA	“Flatbed scanner PCBA removal” on page 515
6	40X7787	1	1	Flatbed scanner drive parts kit	“Flatbed scanner drive parts kit removal” on page 510
7	40X7941	1	1	Flatbed right cover (MX81x)	“Flatbed scanner right cover removal” on page 506
8	40X8038	1	1	Flatbed front cover (MX810)	“Flatbed scanner front cover removal” on page 502
8	40X7942	1	1	Flatbed front cover (MX811)	“Flatbed scanner front cover removal” on page 502
8	40X8039	1	1	Flatbed front cover (MX812)	“Flatbed scanner front cover removal” on page 502
8	40X8588	1	1	Flatbed front cover (XM7150)	“Flatbed scanner front cover removal” on page 502
8	40X8589	1	1	Flatbed front cover (XM7160)	“Flatbed scanner front cover removal” on page 502
8	40X8590	1	1	Flatbed front cover (XM7170)	“Flatbed scanner front cover removal” on page 502

Asm-index	P/N	Units/mach	Units/FRU	Description	Removal procedure
9	40X7943	1	1	Flatbed left cover (MX81x)	“Flatbed scanner left cover removal topic” on page 505
10	40X7786	1	1	Flatbed scanner CCD	“Flatbed scanner CCD removal” on page 506
11	40X8374	1	1	Flatbed scanner CCD ribbon cable (MX81x)	N/A
NS	40X7944	1	1	Scanner rear cover	N/A

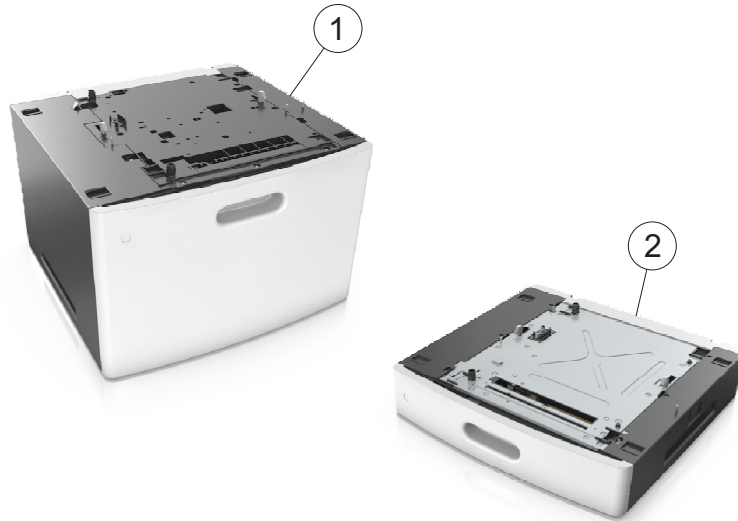
Assembly 18: Input options (MX710 and MX711)



Assembly 18: Input options (MX710 and MX711)

Asm-index	P/N	Units/mach	Units/FRU	Description	Removal procedure
1	40X8106	1	1	550-sheet tray option	"250/550-sheet media tray option removal" on page 521
1	40X8411	1	1	550-sheet tray option, lockable	"250/550-sheet media tray option removal" on page 521
2	40X8152	1	1	250-sheet tray option	"250/550-sheet media tray option removal" on page 521
2	40X8410	1	1	250-sheet tray option, lockable	"250/550-sheet media tray option removal" on page 521
3	40X8161	1	1	HCIT option	"HCIT and drawer assembly removal" on page 537
NS	40X8409	1	1	Spacer	N/A

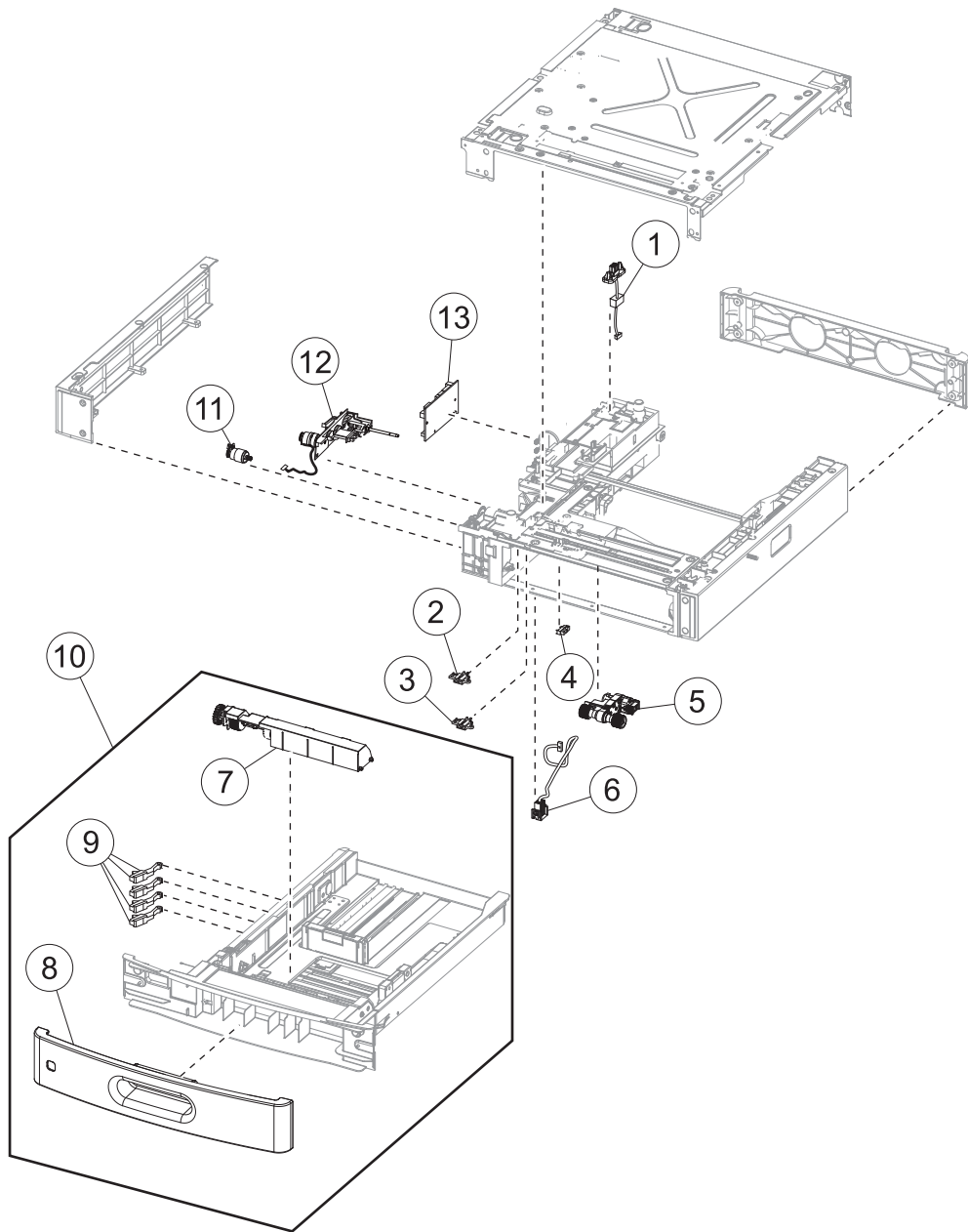
Assembly 19: Input options (MX810, MX811 and MX812)



Assembly 19: Input options (MX810, MX811 and MX812)

Asm-index	P/N	Units/mach	Units/FRU	Description	Removal procedure
1	40X8162	1	1	HCIT and drawer assembly	"HCIT and drawer assembly removal" on page 537
2	40X8108	1	1	550-sheet tray and drawer assembly	"250/550-sheet media tray option removal" on page 521

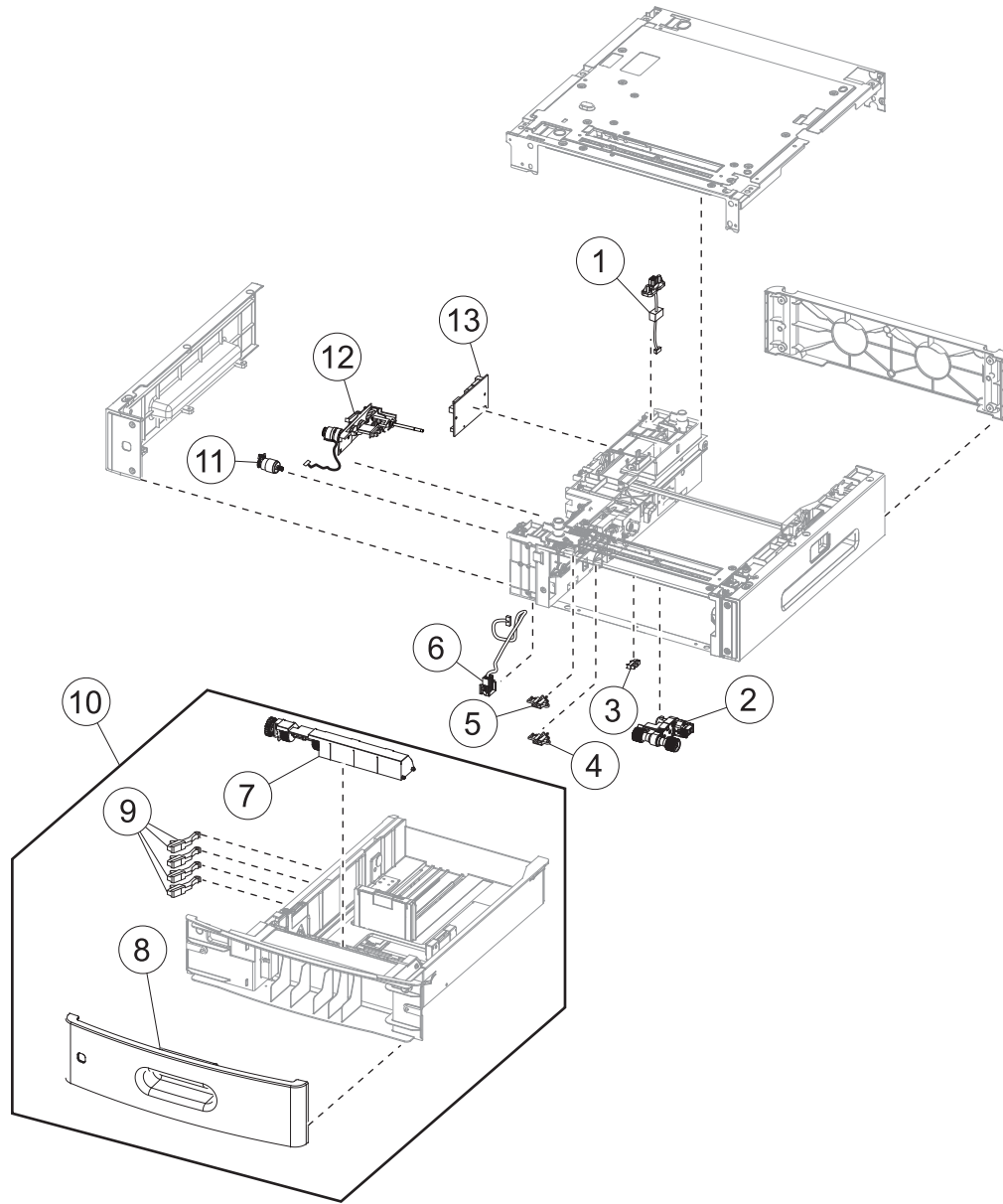
Assembly 20: 250-sheet tray option (MX710 and MX711)



Assembly 20: 250-sheet tray option (MX710 and MX711)

Asm-index	P/N	Units/mach	Units/FRU	Description	Removal procedure
1	40X8160	1	1	250-sheet tray option upper interface cable	“Drawer upper interface cable removal” on page 526
2	40X8156	1	1	Sensor (pass through)	“Sensor (drawer pass through) removal” on page 531
3	40X8158	1	1	Sensor (pick)	“Sensor (pick) removal” on page 533
4	40X7592	1	1	Sensor (pick roller position)	“Sensor (pick roll position) removal” on page 522
5	40X7593	1	1	Pick roller	“Drawer pick roller removal” on page 522
6	40X8159	1	1	250-sheet tray option lower interface cable	“Drawer lower interface cable removal” on page 527
7	40X7713	1	1	Separator roller assembly	“Media tray separation roller removal” on page 521
8	40X8154	1	1	250-sheet tray front cover	“Media tray front cover removal” on page 522
9	40X8541	4	1	Media size actuator	“Media size actuator removal” on page 375
10	40X8153	1	1	250-sheet tray	“Media tray assembly removal” on page 521
11	40X8157	1	1	250-sheet tray option transport motor	“Drawer transport motor removal” on page 530
12	40X7591	1	1	Media feeder	“Drawer media feeder removal” on page 528
13	40X8672	1	1	250-sheet tray option controller PCBA	“Drawer controller PCBA removal” on page 525

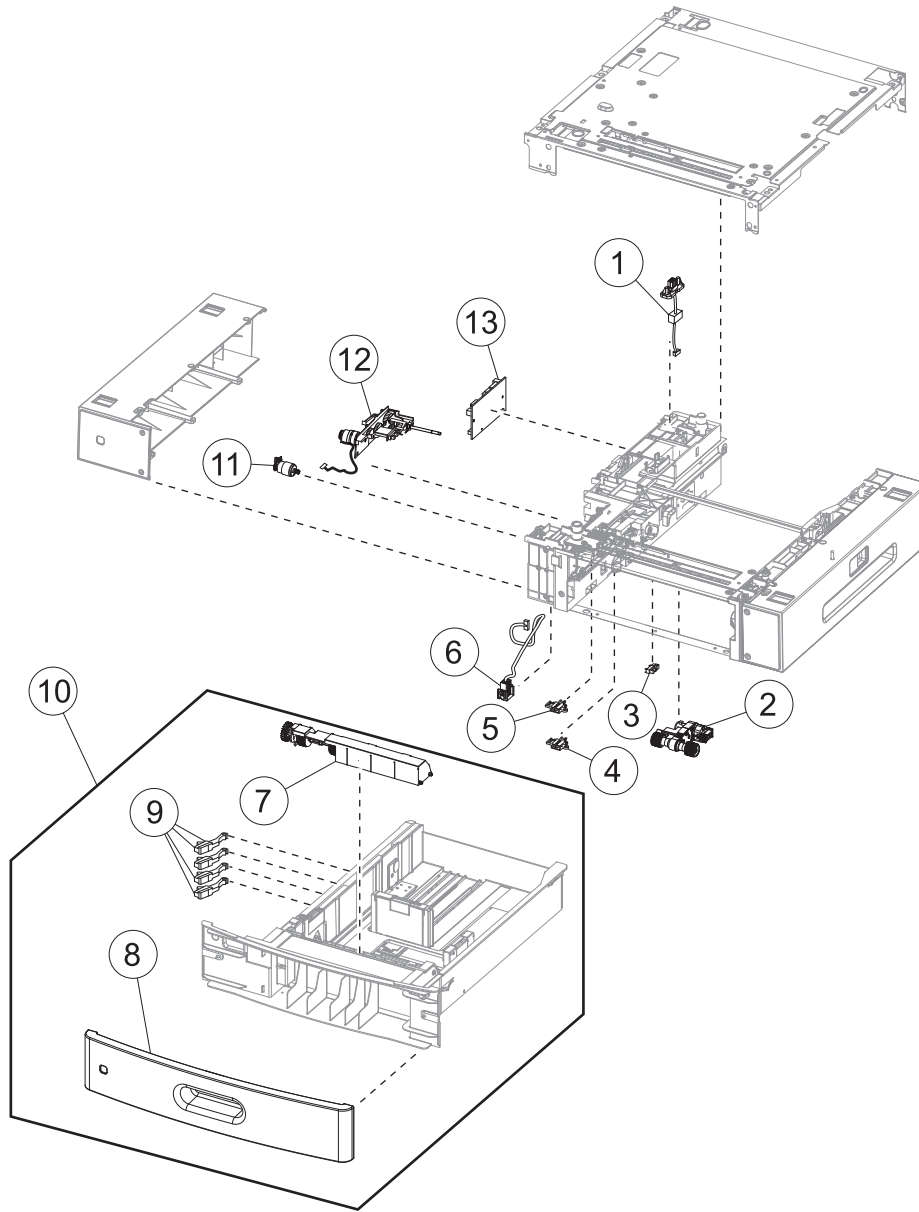
Assembly 21: 550-sheet tray option (MX710 and MX711)



Assembly 21: 550-sheet tray option (MX710 and MX711)

Asm-index	P/N	Units/mach	Units/FRU	Description	Removal procedure
1	40X8160	1	1	550-sheet tray option upper interface cable	“Drawer upper interface cable removal” on page 526
2	40X7593	1	1	Pick roller	“Drawer pick roller removal ” on page 522
3	40X7592	1	1	Sensor (pick roller position)	“Sensor (pick roll position) removal ” on page 522
4	40X8158	1	1	Sensor (pick)	“Sensor (pick) removal” on page 533
5	40X8156	1	1	Sensor (pass through)	“Sensor (drawer pass through) removal ” on page 531
6	40X8159	1	1	550-sheet tray option lower interface cable	“Drawer lower interface cable removal” on page 527
7	40X7713	1	1	Separator roller assembly	“Media tray separation roller removal” on page 521
8	40X8109	1	1	550-sheet tray front cover	“Media tray front cover removal” on page 522
9	40X8541	4	1	Media size actuator	“Media size actuator removal” on page 375
10	40X7742	1	1	550-sheet tray	“Media tray assembly removal” on page 521
11	40X8157	1	1	550-sheet tray option transport motor	“Drawer transport motor removal” on page 530
12	40X7591	1	1	Media feeder	“Drawer media feeder removal ” on page 528
13	40X8155	1	1	550-sheet tray option controller PCBA	“Drawer controller PCBA removal” on page 525

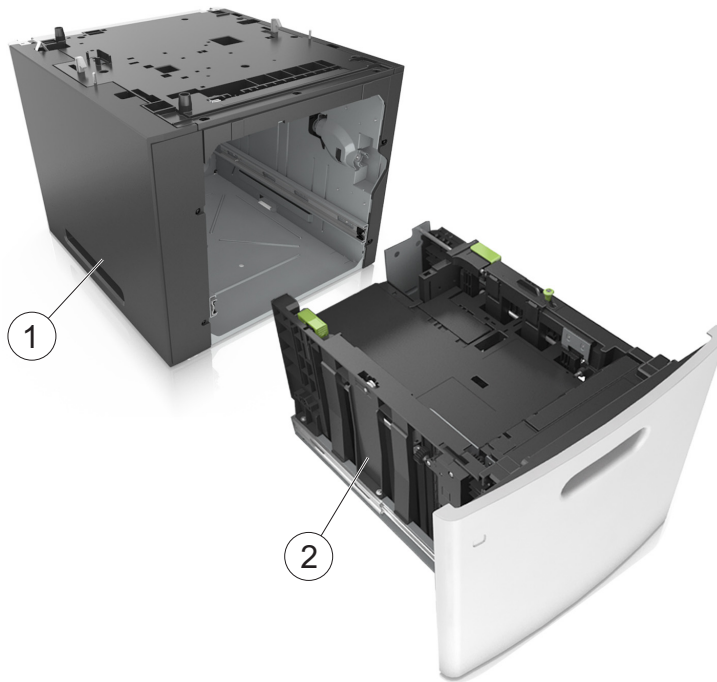
Assembly 22: 550-sheet tray option (MX810, MX811, MX812)



Assembly 22: 550-sheet tray option (MX810, MX811, MX812)

Asm-index	P/N	Units/mach	Units/FRU	Description	Removal procedure
1	40X8160	1	1	550-sheet tray option upper interface cable	“Drawer upper interface cable removal” on page 526
2	40X7593	1	1	pick roller	“Drawer pick roller removal ” on page 522
3	40X7592	1	1	Sensor (pick roller position)	“Sensor (pick roll position) removal ” on page 522
4	40X8158	1	1	Sensor (pick)	“Sensor (pick) removal” on page 533
5	40X8156	1	1	Sensor (pass through)	“Sensor (drawer pass through) removal ” on page 531
6	40X8159	1	1	550-sheet tray option lower interface cable	“Drawer lower interface cable removal” on page 527
7	40X7713	1	1	Separator roller assembly	“Media tray separation roller removal” on page 521
8	40X8113	1	1	550-sheet tray front cover	“Media tray front cover removal” on page 522
9	40X8541	4	1	Media size actuator	“Media size actuator removal” on page 375
10	40X7948	1	1	550-sheet tray	“Media tray assembly removal” on page 521
11	40X8157	1	1	550-sheet tray option transport motor	“Drawer transport motor removal” on page 530
12	40X7591	1	1	Media feeder	“Drawer media feeder removal ” on page 528
13	40X8155	1	1	550-sheet option tray controller PCBA	“Drawer controller PCBA removal” on page 525

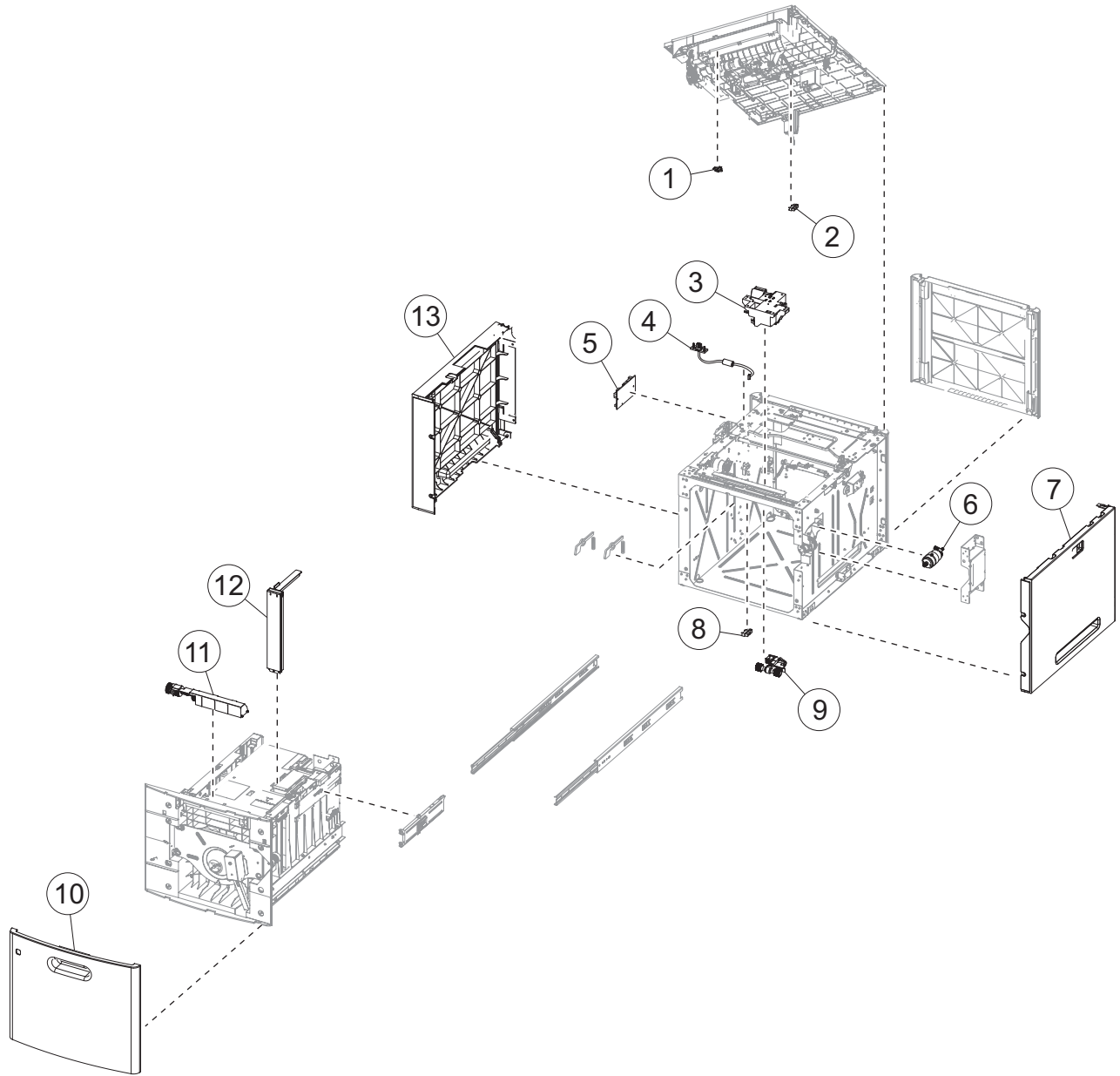
Assembly 23: High capacity input tray option 1 (MX710 and MX711)



Assembly 23: High capacity input tray option 1 (MX710 and MX711)

Asm-index	P/N	Units/mach	Units/FRU	Description	Removal procedure
1	40X8163	1	1	HCIT drawer assembly	See "HCIT drawer assembly removal" on page 537
2	40X8165	1	1	HCIT	See "HCIT removal" on page 537

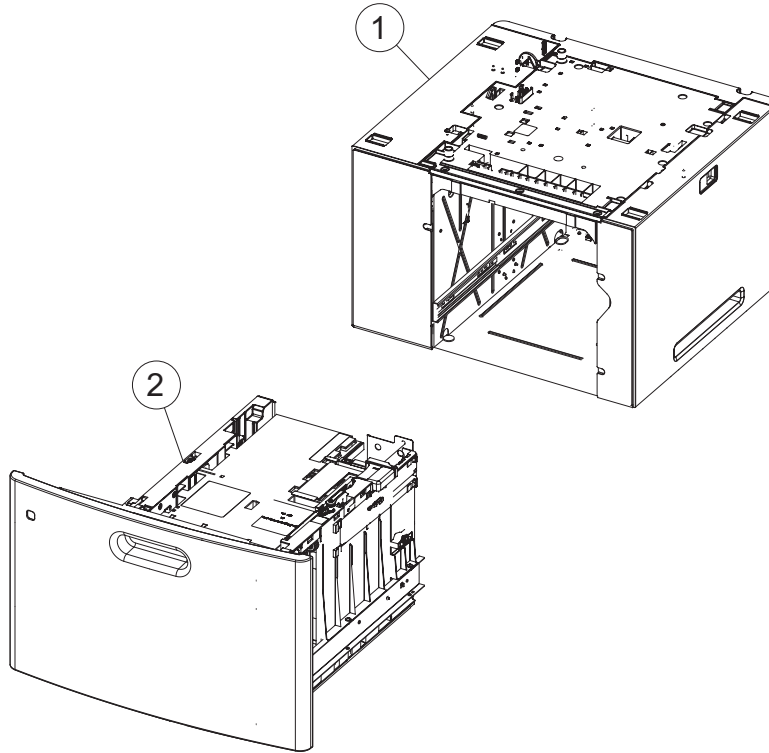
Assembly 24: High capacity input tray option 2 (MX710 and MX711)



Assembly 24: High capacity input tray option 2 (MX710 and MX711)

Asm-index	P/N	Units/mach	Units/FRU	Description	Removal procedure
1	40X8178	1	1	Sensor (HCIT pick) with cable	See “Sensor (HCIT pick) removal” on page 556
2	40X8177	1	1	Sensor (HCIT media low) with flag	See “Sensor (HCIT media low) with flag removal” on page 553
3	40X8174	1	1	HCIT option media feeder	See “HCIT media feeder removal” on page 557
4	40X8180	1	1	HCIT option interface cable	See “HCIT drawer assembly interface cable removal” on page 552
5	40X8173	1	1	HCIT option controller PCBA	See “HCIT controller PCBA removal” on page 547
6	40X8179	1	1	HCIT option lift drive motor	See “HCIT lift drive motor removal” on page 550
7	40X8169	1	1	HCIT option right cover	See “HCIT drawer assembly right cover removal” on page 545
8	40X7592	1	1	Sensor (HCIT pick roller position)	See “Sensor (pick roll position) removal” on page 554
9	40X7593	1	1	Pick roller	See “HCIT pick arm assembly removal” on page 541
10	40X8171	1	1	HCIT front cover	See “HCIT front cover removal” on page 539
11	40X7713	1	1	Separation roller	See “HCIT separator roll assembly removal” on page 538
12	40X8176	1	1	HCIT media guide	See “HCIT media guide removal” on page 538
13	40X8167	1	1	HCIT option left cover	See “HCIT drawer assembly left cover removal” on page 543

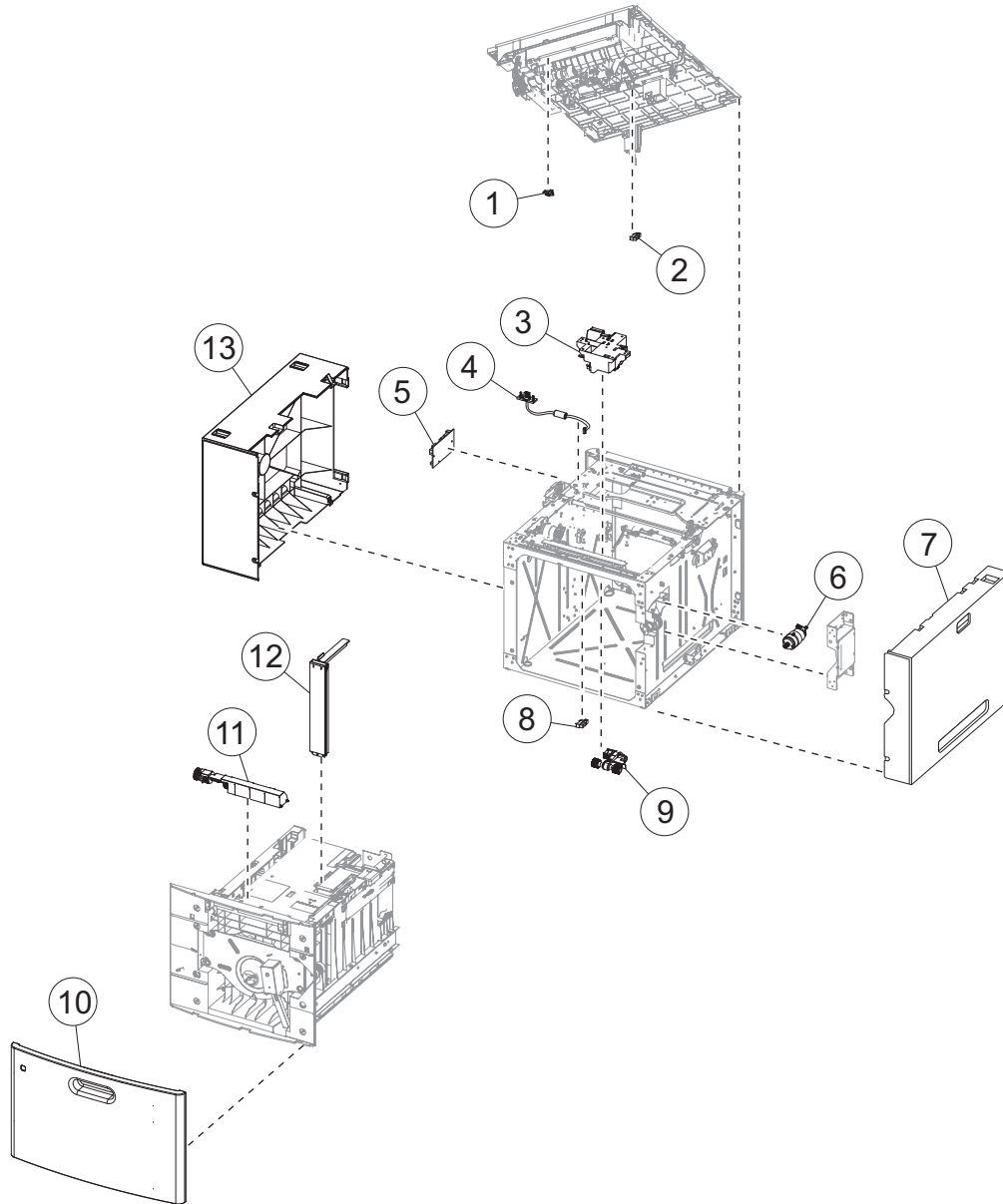
Assembly 25: High capacity input tray option 3 (MX810, MX811, MX812)



Assembly 25: High capacity input tray option 3 (MX810, MX811, MX812)

Asm-index	P/N	Units/mach	Units/FRU	Description	Removal procedure
1	40X8164	1	1	HCIT drawer assembly	"HCIT drawer assembly removal" on page 537
2	40X8166	1	1	HCIT	"HCIT removal" on page 537

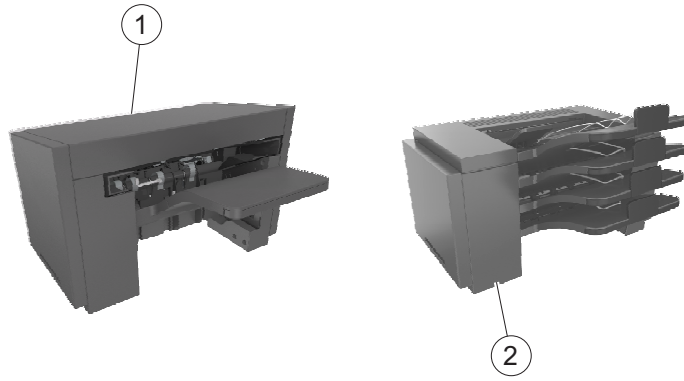
Assembly 26: High capacity input tray option 4 (MX810, MX811, MX812)



Assembly 26: High capacity input tray option 4 (MX810, MX811, MX812)

Asm-index	P/N	Units/mach	Units/FRU	Description	Removal procedure
1	40X8178	1	1	Sensor (HCIT pass through) with cable	See “Sensor (HCIT pick) removal” on page 591
2	40X8177	1	1	Sensor (HCIT closed) with flag	See “Sensor (HCIT closed) with flag removal” on page 588
3	40X8174	1	1	HCIT media feeder	See “HCIT media feeder removal” on page 592
4	40X8180	1	1	HCIT interface cable	See “HCIT drawer assembly interface cable removal” on page 587
5	40X8173	1	1	HCIT controller PCBA	See “HCIT controller PCBA removal” on page 582
6	40X8179	1	1	HCIT lift drive motor	See “HCIT lift drive motor removal” on page 585
7	40X8170	1	1	HCIT right cover	See “HCIT drawer assembly right cover removal” on page 581
8	40X7592	1	1	Sensor (HCIT roller position)	See “Sensor (pick roll position) removal” on page 589
9	40X7593	1	1	HCIT pick roller	See “HCIT pick arm assembly removal” on page 579
10	40X8172	1	1	HCIT front cover	See “HCIT front cover removal” on page 578
11	40X7713	1	1	HCIT separation roller	See “HCIT separator roll assembly removal” on page 577
12	40X8176	1	1	HCIT media guide	See “HCIT media guide removal” on page 577
13	40X8168	1	1	HCIT left cover	See “HCIT drawer assembly rear cover removal” on page 580

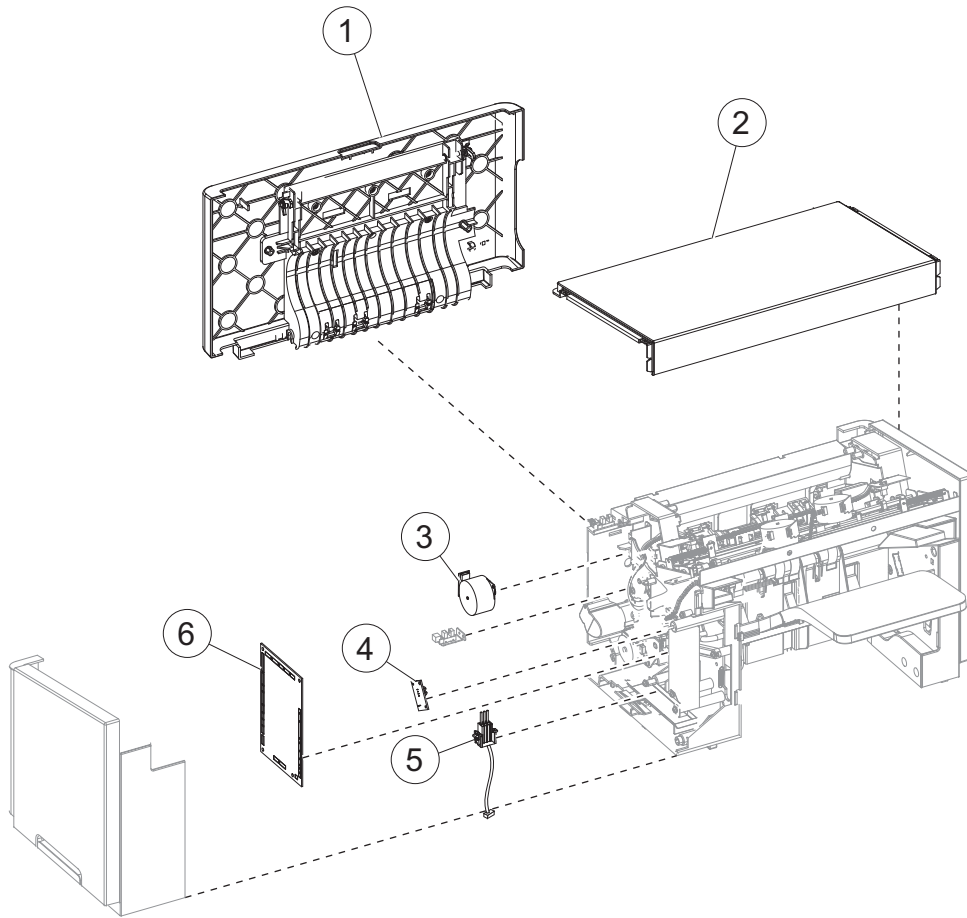
Assembly 27: Output options (MX810, MX811, and MX812)



Assembly 27: Output options (MX810, MX811, and MX812)

Asm-index	P/N	Units/mach	Units/FRU	Description	Removal procedure
1	40X8207	1	1	Staple finisher option	“Staple finisher/offset stacker option removal” on page 595
1	40X8522	1	1	Offset stacker option	“Staple finisher/offset stacker option removal” on page 595
2	40X8241	1	1	Mailbox option	“Mailbox assembly removal” on page 624

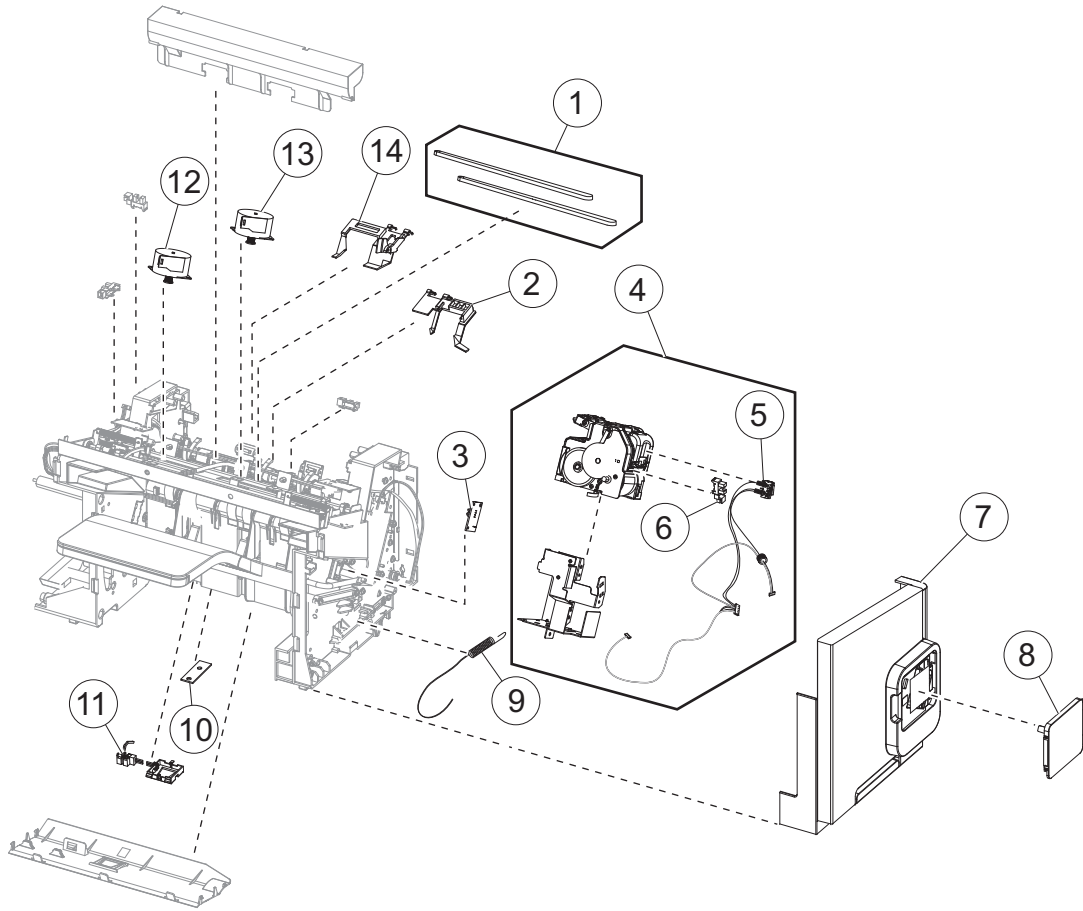
Assembly 28: Staple finisher option 1



Assembly 28: Staple finisher option 1

Asm-index	P/N	Units/mach	Units/FRU	Description	Removal procedure
1	40X8214	1	1	Stapler rear door	See “Stapler/offset stacker rear door removal” on page 595
2	40X8222	1	1	Stapler top cover	See “Stapler/offset stacker top cover removal” on page 599
3	40X8213	1	1	Stapler paddle drive motor	See “Paddle drive motor removal” on page 610
4	40X8220	1	1	Sensor (bin full receive)	See “Sensor (bin full receive) removal” on page 615
5	40X8224	1	1	Stapler lower interface cable	See “Stapler/offset stacker lower interface cable removal” on page 611
6	40X8221	1	1	Stapler controller PCBA	See “Stapler/offset stacker controller PCBA removal” on page 613

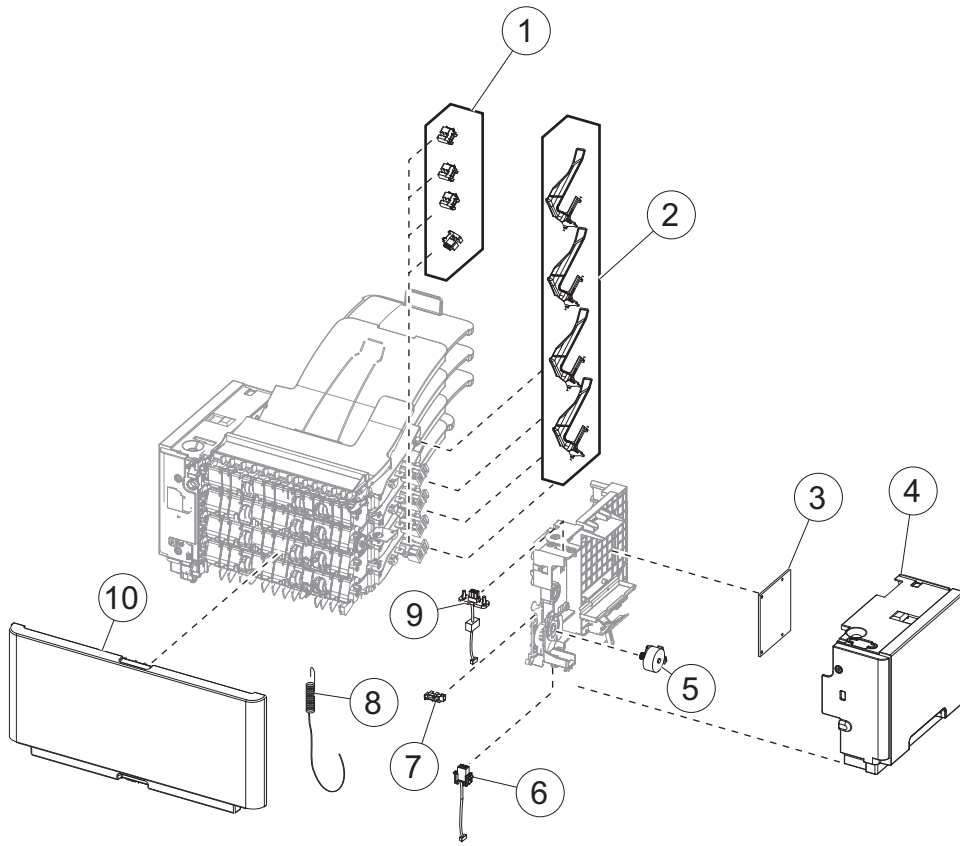
Assembly 29: Staple finisher option 2



Assembly 29: Staple finisher option 2

Asm-index	P/N	Units/mach	Units/FRU	Description	Removal procedure
1	40X8212	1	1	Tamper drive belt	"Tamper drive belt removal" on page 609
2	40X8209	1	1	Media stack flap (right)	"Media stack flap (right) removal" on page 602
3	40X8217	1	1	Sensor (bin full send)	"Sensor (bin full send) removal" on page 614
4	40X8223	1	1	Stapler carriage assembly	"Stapler carriage assembly removal" on page 620
5	40X8225	1	1	Stapler door close limit switch	"Stapler door close limit switch removal" on page 621
6	40X7592	1	1	Sensor (cartridge door interlock)	"Sensor (cartridge door interlock) removal" on page 621
7	40X8216	1	1	Stapler right cover	"Stapler right cover removal" on page 617
8	40X8215	1	1	Stapler cartridge access door	"Stapler cartridge access door removal" on page 619
9	40X8226	1	1	Stapler spring with string	"Stapler/offset stacker spring with string removal" on page 601
10	40X8218	1	1	Standard output bin LED	"Standard output bin LED removal" on page 606
11	40X8219	1	1	Sensor (finisher bin media present)	"Sensor (finisher/stacker bin media present) removal" on page 607
12	40X8211	1	1	Tamper motor (left)	"Tamper motor (left) removal" on page 608
13	40X8211	1	1	Tamper motor (right)	"Tamper motor (right) removal" on page 608
14	40X8210	1	1	Media stack flap (left)	"Media stack flap (left) removal" on page 603

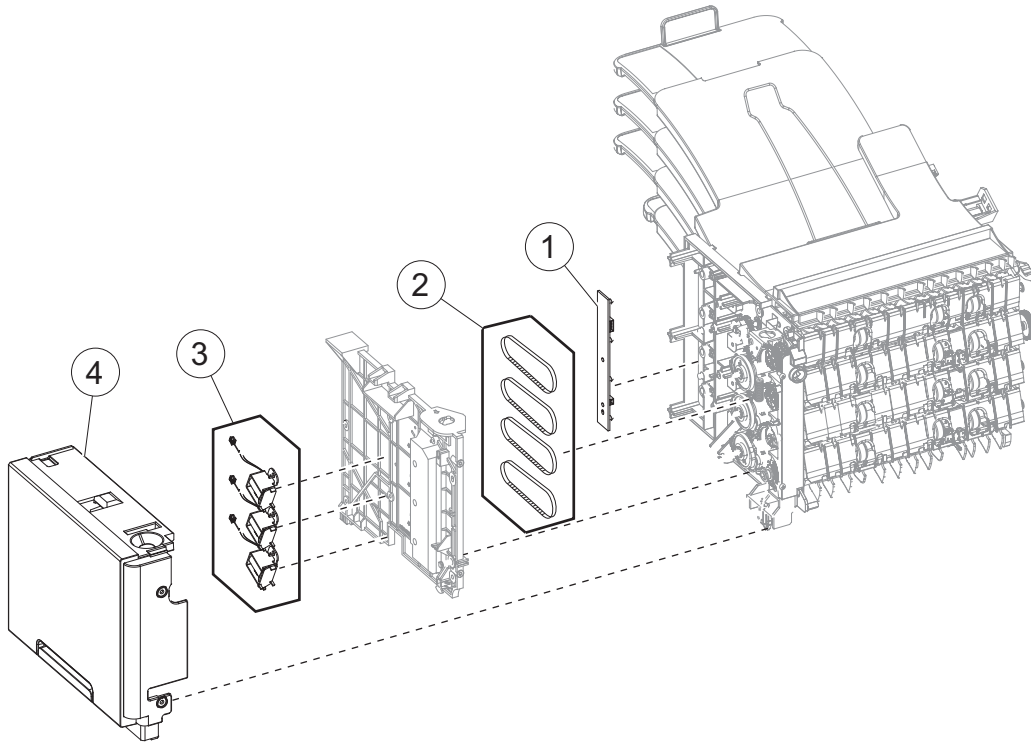
Assembly 30: Mailbox option 1



Assembly 30: Mailbox option 1

Asm-index	P/N	Units/mach	Units/FRU	Description	Removal procedure
1	40X8248	4	4	Sensor (bin full receive)	“Sensor (mailbox bin full receive) removal” on page 639
2	40X8247	4	4	Mailbox media bin full flag	“Mailbox media bin full flag removal” on page 638
3	40X8244	1	1	Mailbox controller PCBA	“Mailbox controller PCBA removal” on page 631
4	40X8246	1	1	Mailbox left cover	“Mailbox left cover removal” on page 630
5	40X8256	1	1	Mailbox divert motor	“Mailbox divert motor removal” on page 636
6	40X8253	1	1	Mailbox lower interface cable	“Mailbox lower interface cable removal” on page 634
7	40X7592	1	1	Mailbox sensor (divert motor)	“Sensor (mailbox divert motor) removal” on page 633
8	40X8252	1	1	Mailbox spring with string	“Mailbox spring with string removal” on page 627
9	40X8254	1	1	Mailbox upper interface cable	“Mailbox upper interface cable removal” on page 636
10	40X8242	1	1	Mailbox rear door	“Mailbox rear door removal” on page 624
NS	40X8500	1	1	Actuator flag (media bin full)	N/A

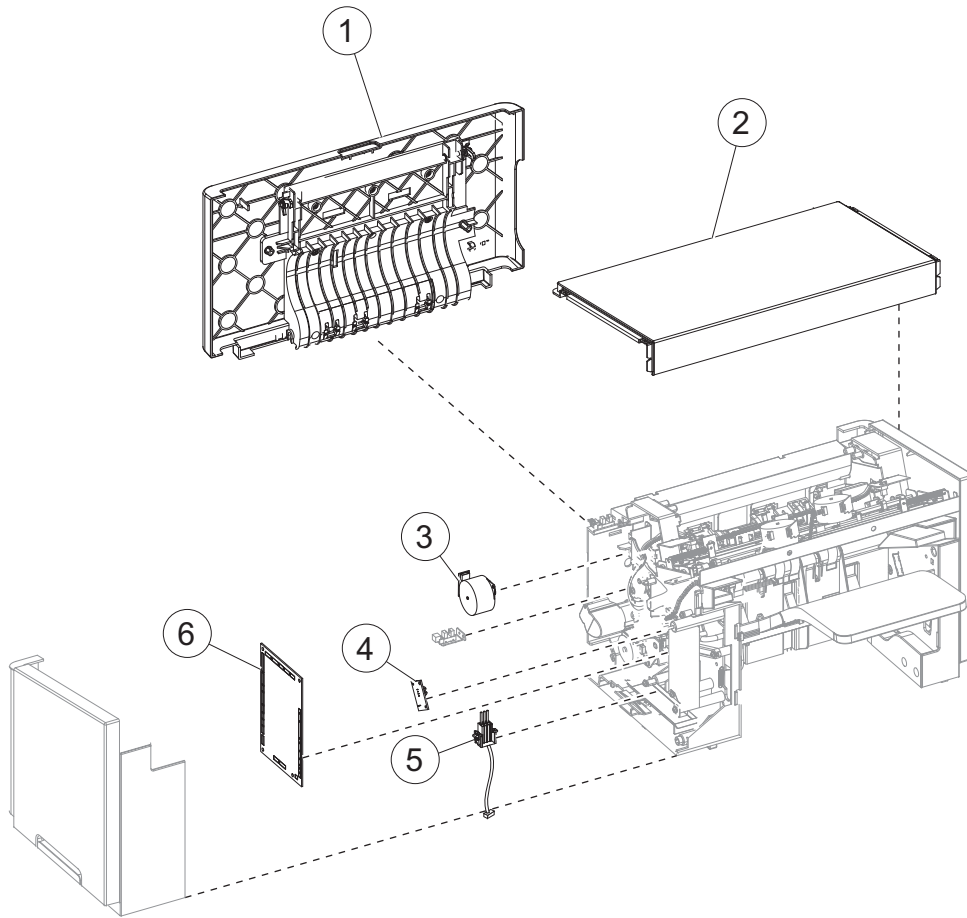
Assembly 31: Mailbox option 2



Assembly 31: Mailbox option 2

Asm-index	P/N	Units/mach	Units/FRU	Description	Removal procedure
1	40X8250	1	1	Mailbox output bin LED assembly	See “Mailbox output bin LED assembly removal” on page 644
2	40X8249	4	1	Mailbox belt	See “Mailbox belt removal” on page 642
3	40X8251	3	1	Mailbox solenoid	See “Mailbox solenoid removal” on page 628
4	40X8243	1	1	Mailbox right cover	See “Mailbox right cover removal” on page 626

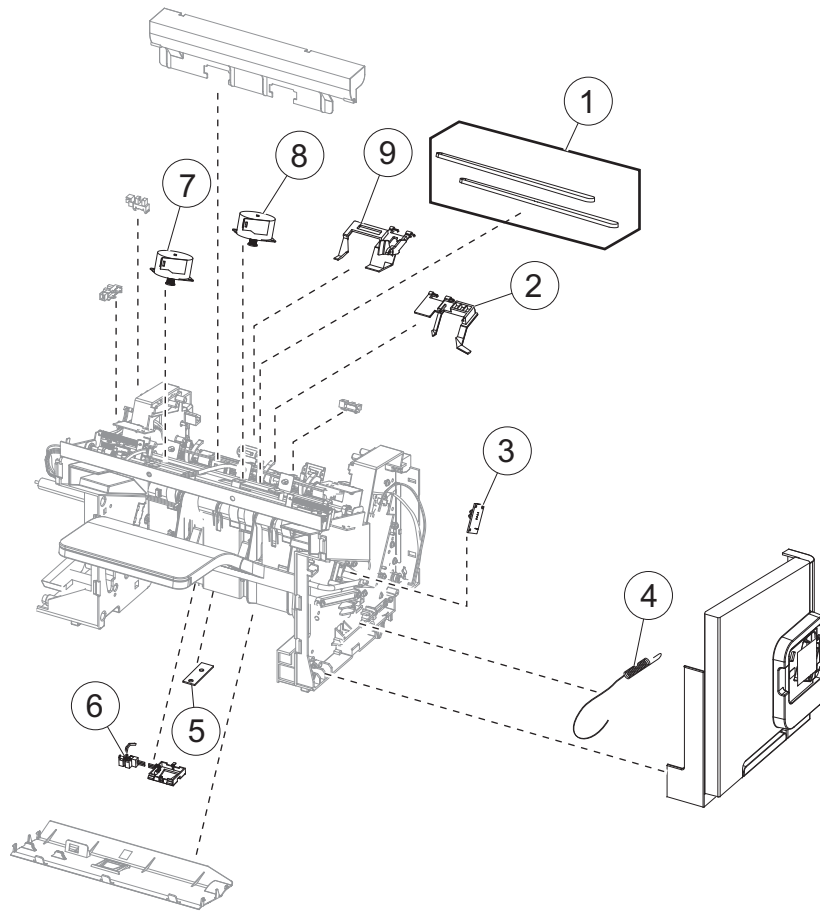
Assembly 32: Offset stacker option 1



Assembly 32: Offset stacker option 1

Asm-index	P/N	Units/mach	Units/FRU	Description	Removal procedure
1	40X8214	1	1	Stacker rear door	See “Stapler/offset stacker rear door removal” on page 595
2	40X8222	1	1	Stacker top cover	See “Stapler/offset stacker top cover removal” on page 599
3	40X8213	1	1	Stacker paddle drive motor	See “Paddle drive motor removal” on page 610
4	40X8220	1	1	Sensor (bin full receive)	See “Sensor (bin full receive) removal” on page 615
5	40X8224	1	1	Stacker lower interface cable	See “Stapler/offset stacker lower interface cable removal” on page 611
6	40X8221	1	1	Stacker controller PCBA	See “Stapler/offset stacker controller PCBA removal” on page 613

Assembly 33: Offset stacker option 2



Assembly 33: Offset stacker option 2

Asm-index	P/N	Units/mach	Units/FRU	Description	Removal procedure
1	40X8212	2	2	Tamper drive belt	"Tamper drive belt removal" on page 609
2	40X8209	1	1	Media stack flap (right)	"Media stack flap (right) removal" on page 602
3	40X8217	1	1	Sensor (bin full send)	"Sensor (bin full send) removal" on page 614
4	40X8226	1	1	Stacker spring with string	"Stapler/offset stacker spring with string removal" on page 601
5	40X8218	1	1	Standard output bin LED	"Standard output bin LED removal" on page 606
6	40X8219	1	1	Sensor (stacker bin media present)	"Sensor (finisher/stacker bin media present) removal" on page 607
7	40X8211	1	1	Tamper motor (left)	"Tamper motor (left) removal" on page 608
8	40X8211	1	1	Tamper motor (right)	"Tamper motor (right) removal" on page 608
9	40X8210	1	1	Media stack flap (left)	"Media stack flap (left) removal" on page 603

Assembly 34: Miscellaneous

Asm-index	P/N	Units/mach	Units/FRU	Description	Removal procedure
NS	40X4819	1	1	RS232C serial adapter	N/A
NS	40X4826	1	1	N8120 GIGABIT INA adapter	N/A
NS	40X4823	1	1	PARALLEL 1284-B THCK adapter	N/A
NS	40X4827	1	1	N8130 10/100 fiber adapter	N/A
NS	40X5315	1	1	SHIP-WITH ISP (2PER) screw	N/A
NS	40X5316	1	1	14 PIN JST-FOR ISP cable	N/A
NS	40X5317	1	1	Tee with thumbscrew standoff	N/A
NS	40X7445	1	1	DDR3-512Mx32 2GB RAM card	N/A
NS	40X7567	1	1	DDR3-256Mx32 1GB-400MHZ RAM card	N/A
NS	40X8555	1	1	256MB USER flash card	N/A
NS	40X8556	1	1	Traditional Chinese font card	N/A
NS	40X8557	1	1	Simplified Chinese font card	N/A
NS	40X8568	1	1	Korean font card	N/A
NS	40X8569	1	1	Japanese font card	N/A
NS	40X8612	1	1	MX71x/MX81x forms and barcode	N/A
NS	40X8614	1	1	MX71x/MX81x prescribe card	N/A
NS	40X8613	1	1	MX71x/MX81x IPDS card	N/A
NS	40X0387	1	1	USB-A interface device	N/A
NS	40X8311	1	1	Card reader - small stick on case	N/A
NS	40X8312	1	1	Card reader - large stick on case	N/A
NS	40X8313	1	1	Card reader - small snap on case	N/A
NS	40X8314	1	1	Card reader - large snap on case	N/A
NS	40X1593	1	1	Lexmark MarkNet N7000e (1 port USB) Ethernet 10Base/100BaseTX	N/A
NS	40X1594	1	1	Lexmark MarkNet N7002e (1 port Parallel) Ethernet 10BaseT/100BaseTX	N/A
NS	40X1592	1	1	Lexmark MarkNet N7020e (4 port USB) Ethernet 10BaseT/100BaseTX/1000BaseT	N/A
NS	40X7706	1	1	MS71x & MS81x Roller Kit	N/A
NS	40X8420	1	1	MS81x Return Program Fuser Maint. Kit Type 00, 110-120V Letter	N/A
NS	40X8421	1	1	MS81x Return Program Fuser Maint. Kit Type 01, 220-240V A5	N/A
NS	40X8422	1	1	MS81x Return Program Fuser Maint. Kit Type 02, 100V A5	N/A

Asm-index	P/N	Units/mach	Units/FRU	Description	Removal procedure
NS	40X8423	1	1	MS81x Return Program Fuser Maint. Kit Type 03, 110-120V A5	N/A
NS	40X8424	1	1	MS81x Return Program Fuser Maint. Kit Type 04, 220-240V Letter	N/A
NS	40X8425	1	1	MS81x Fuser Maint. Kit Type 05, 110-120V Letter	N/A
NS	40X8426	1	1	MS81x Fuser Maint. Kit Type 06, 220-240V A4	N/A
NS	40X8427	1	1	MS81x Fuser Maint. Kit Type 07, 100V A4	N/A
NS	40X8428	1	1	MS81x Fuser Maint. Kit Type 08, 110-120V A4	N/A
NS	40X8429	1	1	MS81x Fuser Maint. Kit Type 09, 220-240V Letter	N/A
NS	40X8431	1	1	MX71x & MX81x ADF Maintenance Kit	N/A
NS	40X8102	1	1	MX81x caster base cover	N/A
NS	40X8103	1	1	MX81x caster base frame	N/A
NS	40X8359	1	1	Locking caster	N/A
NS	40X7857	1	1	ATA pass through hard drive	N/A
NS	40X7858	1	1	802.11B/G/N - US network adapter	N/A
NS	40X7854	1	1	Fax board	N/A
NS	40X8570	1	1	Arabic font card	N/A
NS	40X8571	1	1	Hebrew font card	N/A
NS	40X8591	1	1	USB delete plug	N/A
NS	40X8093	1	1	Caster base (MX71x)	N/A

Assembly 35: Power cords

Asm-index	P/N	Units/mach	Units/FRU	Description	Removal procedure
NS	40X0269	1	1	Power cord LV, USA & Canada, Latin America	N/A
NS	40X0288	1	1	Power cord HV, Argentina	N/A
NS	40X1766	1	1	Power cord HV, Bolivia & Peru	N/A
NS	40X0273	1	1	Power cord HV, Chile, Uruguay	N/A
NS	40X3141	1	1	Power cord HV, Paraguay, Austria, Belgium, France, Germany, Italy, Netherlands, Bluemark, Czech & Solvic countries, Greece, Hungary, Medmark 1, Medmark 2, Arabic, Poland, Russia, CIS, Spain, Portugal, & Ireland	N/A
NS	40X4596	1	1	Power cord LV, Brazil PPB kits	N/A
NS	40X0271	1	1	Power cord HV, United Kingdom, Asian, Brunei, Cambodia, Indonesia, Laos, Malaysia, Myanmar, Philippines, Singapore, Thailand, Vietnam, Afghanistan, Bangladesh, Bhutan, India, Nepal, Pakistan, Sri Lanka, Tibet, & Hong Kong	N/A
NS	40X0301	1	1	Power cord HV, Australia & New Zealand	N/A
NS	40X3609	1	1	Power cord 100 V, Japan	N/A
NS	40X1792	1	1	Power cord, HV, Korea	N/A
NS	40X0303	1	1	Power cord, HV PRC	N/A
NS	40X1791	1	1	Power cord LV, Taiwan	N/A
NS	40X1774	1	1	Power cord HV, Denmark, Finland, Norway, Sweden	N/A
NS	40X0275	1	1	Power cord, HV, Israel	N/A
NS	40X1773	1	1	Power cord HV, South Africa, Namibia, Lesotho, Botswana & Pakistan	N/A
NS	40X1772	1	1	Power cord HV, Switzerland	N/A